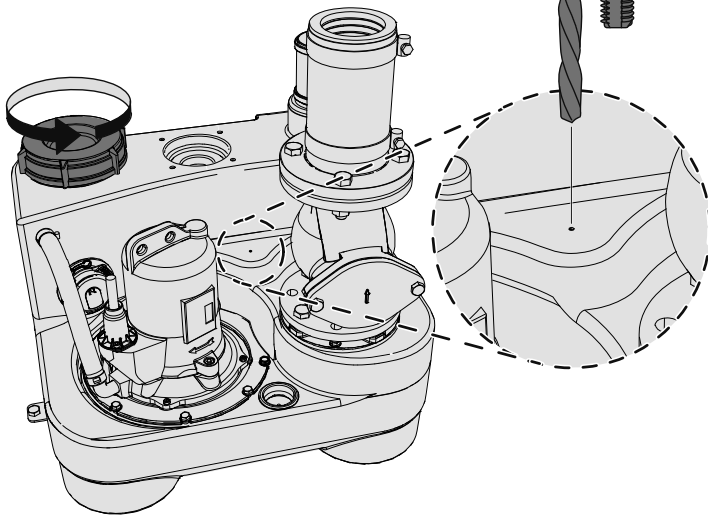


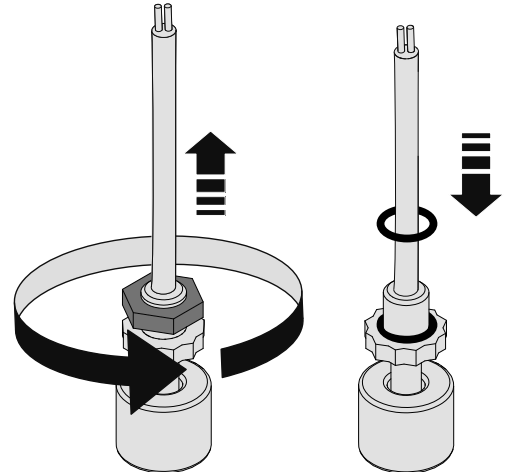
ALARMGEBER COMPLI 400 / ALARM DEVICE COMPLI 400

1

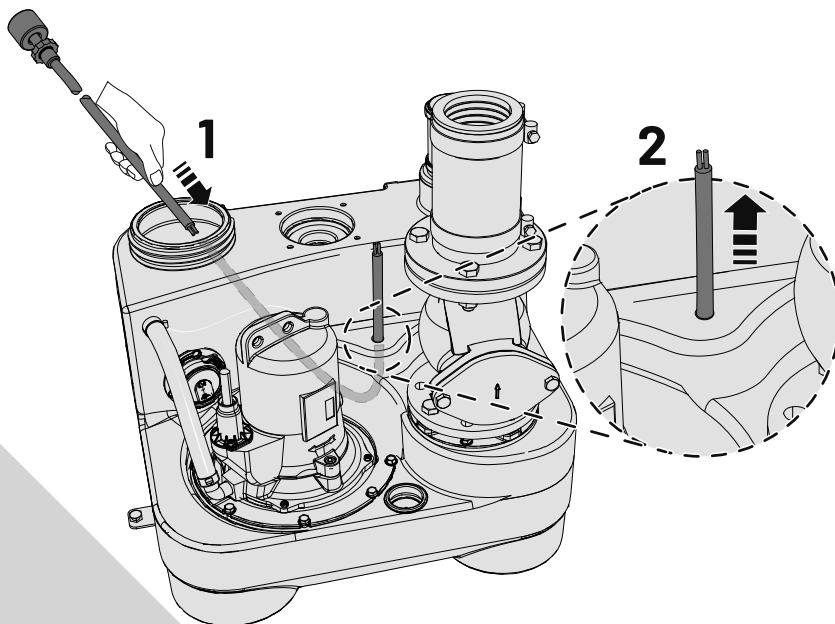
Ø 12,5 mm
PG7
(Option)



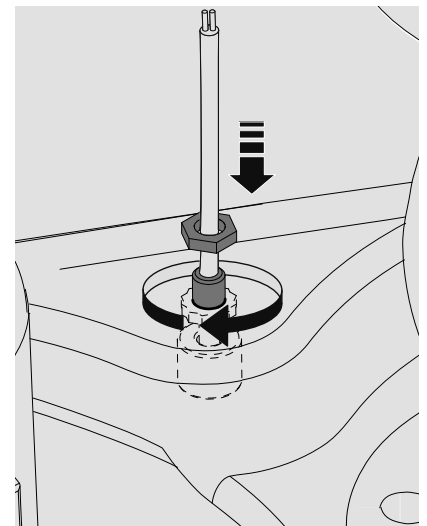
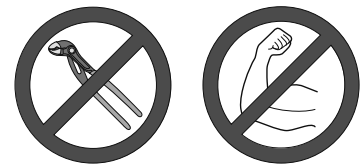
2



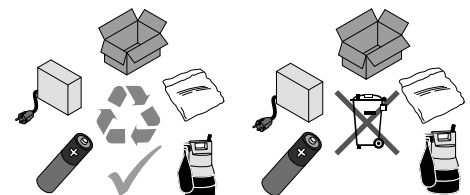
3



4



Compli B 48792 jung-pumpen.de/download.html





Jung Pumpen GmbH
Industriestr. 4-6
33803 Steinhagen
Deutschland
Tel. +49 5204 170
kd@jung-pumpen.de

Pentair Water Italy Srl
Via Masaccio, 13
56010 Lignano - Pisa
Italia
Tel. +39 050 716 111
info@jung-pumpen.it

Pentair Water Polska Sp. z o.o.
ul. Plonów 21
41-200 Sosnowiec
Polska
Tel. +48 32 295 1200
infopl.jungpumpen@pentair.com