

B

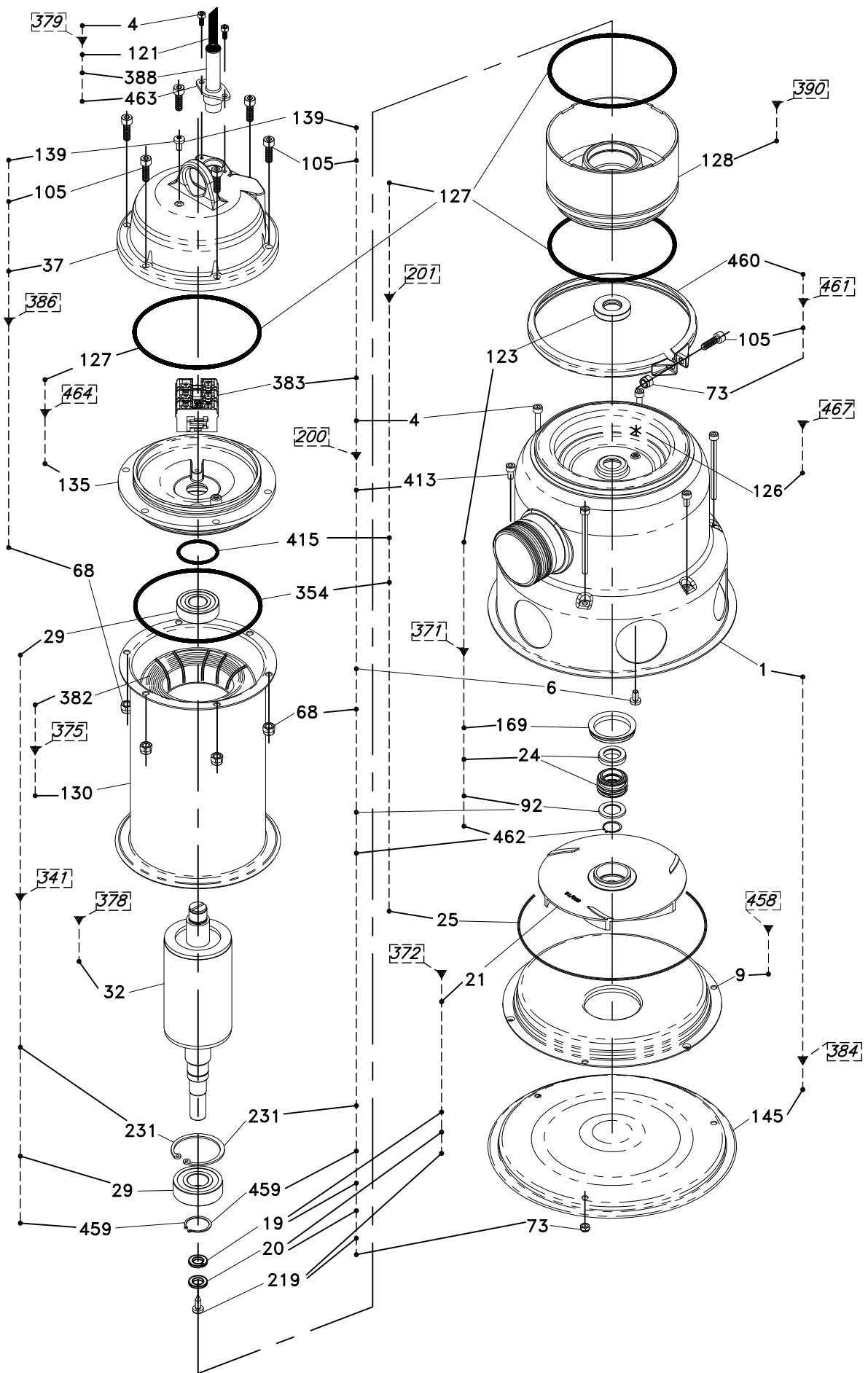
B

A

A

	Pentair Water Italy S.r.l. Via Masaccio,13 56010 Lugnano (PI) ITALY	Drawn Vaglini	Title PRIOX		Sheet 1 of 1
		Approved M.Bernacca	Date (dd/mm/yy) 21-12-2008	Dwg #	DR010005_01

This drawing is the absolute property of Pentair Water Italy S.r.l. It may not be reproduced in any form without the written permission of Pentair Water Italy S.r.l.



B

B

A

A



**Pentair®
Water**

Pentair Water Italy S.r.l.
Via Masaccio,13
56010 Lugnano (PI)
ITALY

Drawn Vaglini
Approved M.Bernacca

Title PRIOX 800
Date (dd/mm/yy) 08-01-2009
Dwg #

DR080001_01

Sheet 1 of 1

This drawing is the absolute property of Pentair Water Italy S.r.l. It may not be reproduced in any form without the written permission of Pentair Water Italy S.r.l.



DRW. DR010005

Select language English

SPARE-PARTS				PRIOX								
RECOMMENDED KIT	KIT REF. Nr.	KIT DESCRIPTION	COMPONENT REF. Nr.	COMPONENT DESCRIPTION	PRIOX 50-350/8 M	PRIOX 50-350/8 M AUT	PRIOX 50-350/8 T	PRIOX 50-500/11 M	PRIOX 50-500/11M AUT	PRIOX 50-500/11T	PRIOX 50-600/13T	
	200	BOLTS AND SCREWS KIT	4	SCREW				ZBR20580			1pc	
			6	GASKET (FILL/DRAIN PLUG ~)							1pc	
			18	NUT (SELF-LOCKING ~)							1pc	
			67	WASHER							1pc	
			68	NUT (SELF-LOCKING/GROMMET ~)							6pc	
			71	WASHER							6pc	
			73	NUT							9pc	
			139	SCREW (INSPECTION ~)							1pc	
			457	CARTER							1pc	
			367	SCREW (PUMP BODY ~)							3pc	
*	201	GASKET KIT	6	GASKET (FILL/DRAIN PLUG ~)				ZBR20570			1pc	
			25	O-RING (PUMP BODY ~)							1pc	
			127	O-RING (LOWER BEARING FLANGE ~)							1pc	
			139	SCREW (INSPECTION ~)							1pc	
			140	O-RING (CORDING CLAMP ~)							2pc	
			159	O-RING (COVER ~)							1pc	
	341	BEARING KIT	36	RING (ELASTIC ~)				ZBR20710			1pc	
			29	BEARING (COUPLE OF ~)							1pc	
*	371	MECHANICAL SEAL KIT	24	SEAL (COMPLETE MECHANICAL ~)				ZBR20470			1pc	
			92	RONDELLA							1pc	
			123	RING (SEAL ~)							1pc	
			169	SAND PROTECTION							1pc	
	372	HYDRAULIC KIT	18	NUT (SELF-LOCKING ~)		ZBR20600			ZBR22240		1pc	
			21	IMPELLER							1pc	
			71	WASHER							1pc	
	375	STATOR KIT	46	HOLDER (CAPACITOR ~ WITH HOLE)							1pc	
			137	ANTI-MOISTURE							1pc	
			382	WINDING STATOR	ZBR20500		ZBR20510		ZBR20540	ZBR20550	ZBR20560	
			130	MOTOR BODY							1pc	
			135	FLANGE (UPPER BEARING HOLDER ~)							1pc	
	378	SHAFT + ROTOR KIT	32	SHAFT (ROTOR WITH ~)		ZBR20620			ZBR20640		ZBR20650	
	379	ELECTRIC KIT	138	NUT (CORDING CLAMP LOCKING ~)							1pc	
			153	GROMMET (CABLE ~ 9 MM DIA)							1pc	
			154	CORDING CLAMP	ZBR20460		ZBR26270		ZBR20460		ZBR26270	
			140	O-RING (CORDING CLAMP ~)							1pc	
			141	CONNECTOR 2.5 SQMM							2pc	
			385	POWER CABLE W/GROMMET							1pc	
	380	CAPACITOR KIT	47	CAPACITOR		ZBR20690			ZBR25940		-	
			141	CONNECTOR 2.5 SQMM							2pc	
	384	PUMP BODY KIT	1	PUMP BODY					ZBR20670		1pc	
			145	BASE (FILTER ~)							1pc	
	386	MOTOR COVER KIT	37	COVER (MOTOR ~)							1pc	
			139	SCREW (INSPECTION ~)	ZBR20480		ZBR20490		ZBR20480	ZBR20490	ZBR20480	
			136	COVER (CAPACITOR BOX ~)							1pc	
	389	FLOAT SWITCH KIT	138	NUT (CORDING CLAMP LOCKING ~)							1pc	
			140	O-RING (CORDING CLAMP ~)							1pc	
			153	GROMMET (CABLE ~ 9 MM DIA)							1pc	
			154	CORDING CLAMP		ZBR20450			ZBR20450		-	
			141	CONNECTOR 2.5 SQMM							2pc	
			35	CABLE AND FL. SWITCH							1pc	
	390	FLANGE (LOWER BEARING HOLDER ~) KIT	128	FLANGE (LOWER BEARING HOLDER ~)						ZBR20700	1pc	
	458	DIFFUSER KIT	9	DIFFUSER						ZBR25040	1pc	




DRW. DR010005

SPARE-PARTS

Select language English

SPARE-PARTS KIT TABLE

SPARE-PARTS				PUMP MODEL													
RECOMMENDED KIT	KIT REF. Nr.	KIT DESCRIPTION	COMPONENT REF. Nr.	COMPONENT DESCRIPTION	PRIOX 250/8M	PRIOX 250/8M AUT	PRIOX 300/9M	PRIOX 300/9M AUT	PRIOX 300/9T	PRIOX 420/11M	PRIOX 420/11M AUT	PRIOX 420/11T	PRIOX 460/13M	PRIOX 460/13M AUT	PRIOX 460/13T	PRIOX 600/13T	
	200	BOLTS AND SCREWS KIT	4	SCREW													
			6	GASKET (FILL/DRAIN PLUG ~)													
			16	NUT (SELF-LOCKING ~)													
			67	WASHER													
			68	NUT (SELF-LOCKING/GROMMET ~)													
			73	NUT													
			139	SCREW (INSPECTION ~)													
			457	CARRIER													
			367	SCREW (PUMP BODY ~)													
			5	GASKET (FILL/DRAIN PLUG ~)													
			25	O-RING (PUMP BODY ~)													
*	201	GASKET KIT	127	O-RING (LOWER BEARING FLANGE ~)													
			139	SCREW (INSPECTION ~)													
			140	O-RING (CORDING CLAMP ~)													
			159	O-RING (COVER ~)													
			36	RING (ELASTIC ~)													
	341	BEARING KIT	29	BEARING (COUPLE OF ~)													
			24	SEAL (COMPLETE MECHANICAL ~)													
			92	WASHER													
			123	RING (SEAL ~)													
			169	SAND PROTECTION													
			18	NUT (SELF-LOCKING ~)													
			21	IMPELLER													
			67	WASHER													
	371	MECHANICAL SEAL KIT	46	HOLDER (CAPACITOR ~ WITH HOLE)													
			137	ANTI-MOISTURE													
			382	WINDING STATOR													
			130	MOTOR BODY													
			135	FLANGE (UPPER BEARING HOLDER ~)													
	372	HYDRAULIC KIT	18	NUT (SELF-LOCKING ~)													
			21	IMPELLER													
			67	WASHER													
	375	STATOR KIT	46	HOLDER (CAPACITOR ~ WITH HOLE)													
			137	ANTI-MOISTURE													
			382	WINDING STATOR													
			130	MOTOR BODY													
			135	FLANGE (UPPER BEARING HOLDER ~)													
	378	SHAFT + ROTOR KIT	32	SHAFT (ROTOR WITH ~)													
			138	NUT (CORDING CLAMP LOCKING ~)													
			153	GROMMET (CABLE ~ 9 MM DIA)													
			154	CORDING CLAMP													
			140	O-RING (CORDING CLAMP ~)													
			141	CONNECTOR 2 S SQMM													
			385	POWER CABLE W/GROMMET													
	379	ELECTRIC KIT	47	CAPACITOR													
			141	CONNECTOR 2 S SQMM													
	380	CAPACITOR KIT	1	PUMP BODY													
			145	BASE (FILTER ~)													
			37	COVER (MOTOR ~)													
			139	SCREW (INSPECTION ~)													
			136	COVER (CAPACITOR BOX ~)													
			138	NUT (CORDING CLAMP LOCKING ~)													
			140	O-RING (CORDING CLAMP ~)													
			153	GROMMET (CABLE ~ 9 MM DIA)													
			154	CORDING CLAMP													
			141	CONNECTOR 2 S SQMM													
			35	CABLE AND FL SWITCH													
	384	PUMP BODY KIT	1	PUMP BODY													
			145	BASE (FILTER ~)													
			37	COVER (MOTOR ~)													
			139	SCREW (INSPECTION ~)													
			136	COVER (CAPACITOR BOX ~)													
			138	NUT (CORDING CLAMP LOCKING ~)													
			140	O-RING (CORDING CLAMP ~)													
			153	GROMMET (CABLE ~ 9 MM DIA)													
			154	CORDING CLAMP													
			141	CONNECTOR 2 S SQMM													
			35	CABLE AND FL SWITCH													
	386	MOTOR COVER KIT	1	PUMP BODY													
			145	BASE (FILTER ~)													
			37	COVER (MOTOR ~)													
			139	SCREW (INSPECTION ~)													
			136	COVER (CAPACITOR BOX ~)													
			138	NUT (CORDING CLAMP LOCKING ~)													
			140	O-RING (CORDING CLAMP ~)													
			153	GROMMET (CABLE ~ 9 MM DIA)													
			154	CORDING CLAMP													
			141	CONNECTOR 2 S SQMM													
			35	CABLE AND FL SWITCH													
	389	FLOAT SWITCH	128	FLANGE (LOWER BEARING HOLDER ~)													
	390	FLANGE (LOWER BEARING HOLDER ~) KIT	128	FLANGE (LOWER BEARING HOLDER ~)													
	458	DIFFUSER KIT	9	DIFFUSER													
	467	OIL KIT	126	LUBRICANT													

				DRW. DR080001	SPARE-PARTS
				Select language English	SPARE-PARTS KIT TABLE
SPARE-PARTS				PRIOX800	PUMP MODEL
RECOMMENDED KIT	KIT REF. Nr.	KIT DESCRIPTION	COMPONENT REF. Nr.	COMPONENT DESCRIPTION	PRIOX 800/18T
	200	BOLTS AND SCREWS KIT	19	WASHER (IMPELLER TOOTHED -)	1pc
			20	WASHER (IMPELLER -)	1pc
			4	SCREW	3pc
			92	WASHER	1pc
			413	SCREW	3pc
			219	SCREW (IMPELLER LOCK -)	1pc
			73	NUT	3pc
			105	SCREW	7pc
			6	GASKET (FILL/DRAIN PLUG -)	1pc
			139	SCREW (INSPECTION -)	1pc
			231	SNAP RING	1pc
			462	SNAP RING	1pc
			68	NUT (COVER-HANDLE LOCKING -)	7pc
			383	TERMINAL BLOCK	1pc
			459	SHAFT SNAP RING	1pc
			123	RING (SEAL -)	1pc
*			201	GASKET KIT	127
	25	O-RING (PUMP BODY -)			1pc
	415	ORING			3pc
	354	O-RING (STATOR SLEEVE -)			1pc
	231	SNAP RING			1pc
	341	BEARING KIT	459	SHAFT SNAP RING	1pc
			29	BEARING (COUPLE OF -)	1pc
			24	SEAL (COMPLETE MECHANICAL -)	1pc
*	371	MECHANICAL SEAL KIT	92	WASHER	1pc
			123	RING (SEAL -)	1pc
			169	SAND PROTECTION	1pc
			462	SNAP RING	1pc
			19	WASHER (IMPELLER TOOTHED -)	1pc
	372	HYDRAULIC KIT	20	WASHER (IMPELLER -)	1pc
			219	SCREW (IMPELLER LOCK -)	1pc
			21	IMPELLER	1pc
	375	STATOR KIT	382	WINDING STATOR	1pc
			130	MOTOR BODY	1pc
	378	SHAFT + ROTOR KIT	32	SHAFT (ROTOR WITH -)	1pc
	379	ELECTRIC KIT	463	FLANGE	1pc
			4	SCREW	2pc
			121	CABLE (POWER ~ 3 PHASE)	1pc
			388	GROMMET	1pc
	384	PUMP BODY KIT	1	PUMP BODY	1pc
			145	BASE (FILTER -)	1pc
			37	COVER (MOTOR -)	1pc
	386	MOTOR COVER KIT	68	NUT (COVER-HANDLE LOCKING -)	7pc
			139	SCREW (INSPECTION -)	1pc
			105	SCREW	7pc
			128	FLANGE (LOWER BEARING HOLDER -) KIT	1pc
	390	FLANGE (LOWER BEARING HOLDER -) KIT	128	FLANGE (LOWER BEARING HOLDER -)	1pc
	458	DIFFUSER KIT	9	DIFFUSER	1pc
	461	BELT KIT	73	NUT	1pc
			105	SCREW	1pc
			460	BELT	1pc
			127	O-RING (LOWER BEARING FLANGE -)	2pc
	464	FLANGE (UPPER BEARING HOLDER -) KIT	135	FLANGE (UPPER BEARING HOLDER -)	1pc
			126	LUBRICANT	1pc

(¹) sostituire KIT ALBERO+ ROTORE (ZBR25390) e KIT GIRANTE (ZBR25370) per produzioni precedenti al 06 Novembre 2008 (K0806 2008)

(¹) replace SHAFT+ ROTOR KIT (ZBR25390) and HYDRAULIC KIT (ZBR25370) together for production before 06 November 2008 (K0806 2008)

(¹) ersetzen WELLE+ROTOR SET (ZBR25390) und HYDRAULIKSET (ZBR25370) zusammen für die Produktion vor dem 06 November 2008 (K0806 2008)

(¹) remplacer KIT ARBRE + ROTOR (ZBR25390) et KIT HYDRAULIQUE (ZBR25370) ensemble pour productions précédentes au 06 Novembre 2008 (K0806 2008)