

INSTALLATION SETS

DN 40 - DN 150



- . Flexible customizable
- . Corrosion resistant
- . Optimally matched components

APPLICATION

When constructing a pump station, the installation sets can ease the work remarkable, as all components are harmonized and can be adapted at site very flexible. The sets can be used in existing stations that are renovated as well as in new constructions.

By the use of stainless steel, PE and PP the installation sets are as far as possible free of corrosion and offer a long term solution for your underground building. The sets can be used for the pumps of the US, Multidrain, MultiCut, MultiStream and MultiFree series with free passages between DN 32 up to DN 150 and cover a wide range of applications.

Nearly any sump with an inner diameter of 1,0 m or more can be equipped with an installation set, beginning from the private pressure drainage station, over industrial rain water pump stations up to municipal mains pumping stations.

Especially the flexible height adjustment at site is of high interest and offers an easy stock keeping.

SCOPE OF DELIVERY

Fitting Set

Components	DN 40	DN 50	DN 65 (Rohr DN 80) DN 80 DN 100 DN 150
Coupling foot and pump claw	gray cast iron	gray cast iron	gray cast iron
Ball-type check valve	GRP	-	-
Swing-type check valve	-	PP	gray cast iron
Stop valve/ball valve	stainless steel	brass	gray cast iron
Y pice in duplex units	stainless steel	PP	PE or stainless steel
Guide tube bracket	stainless steel	stainless steel	stainless steel
Bolts and nuts	stainless steel	stainless steel	stainless steel

The standard fitting set ends in the sump and allows an individual connection to the pressure pipe as per requirements at site.

- When the pipeline leads into the sump, the following connections can be made:
 - DN 40 with 1 1/2" female thread
 - DN 50 with 2" female thread
 - DN 80 - DN 150 with flange
- When using a wall sealing element, the following connections can be made:
 - DN 40 with 1 1/2" male thread
 - DN 50 with 2" male thread
 - DN 80 - DN 150 by PE-pipe w/o flange
- When using a wall duct with a stainless steel puddle flange, the following connections can be made:
 - DN 40 with 1 1/2" male thread
 - DN 50 with 2" male thread
 - DN 80 - DN 150 with flange end

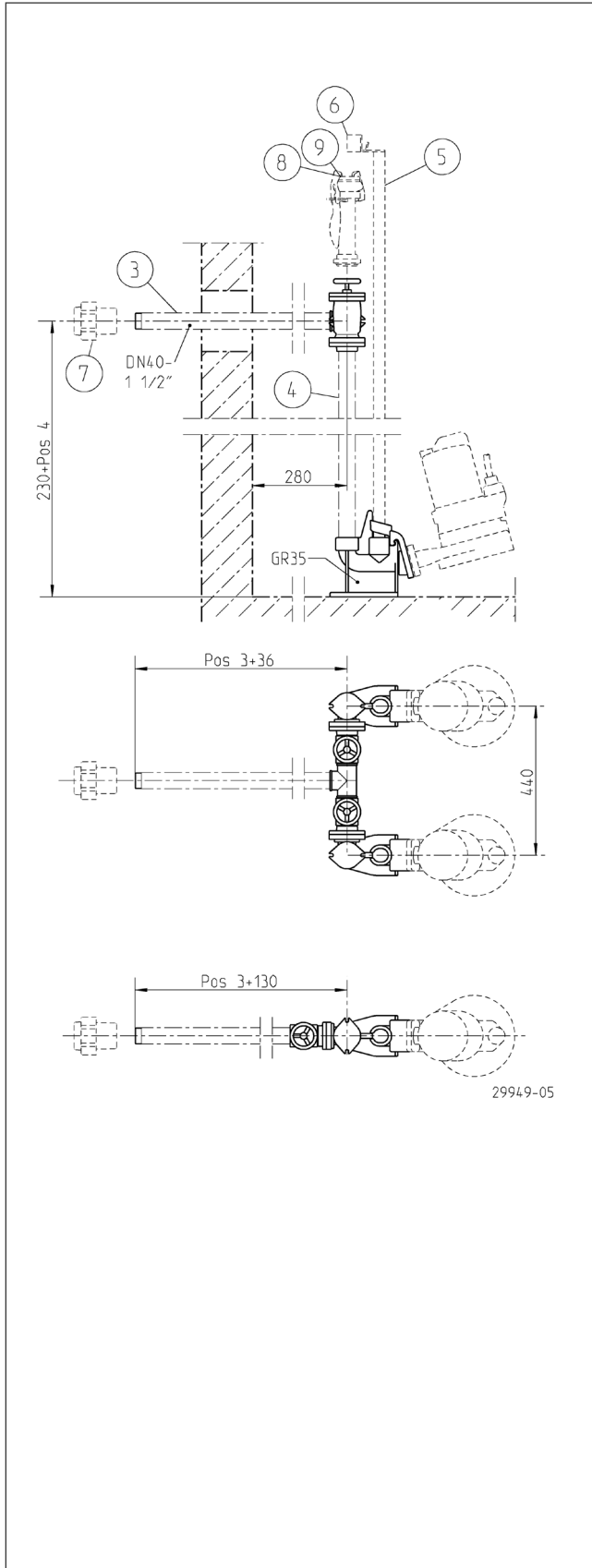
Accessory

The kind of wall duct and additional accessories can be selected in accordance to the requirements at site.

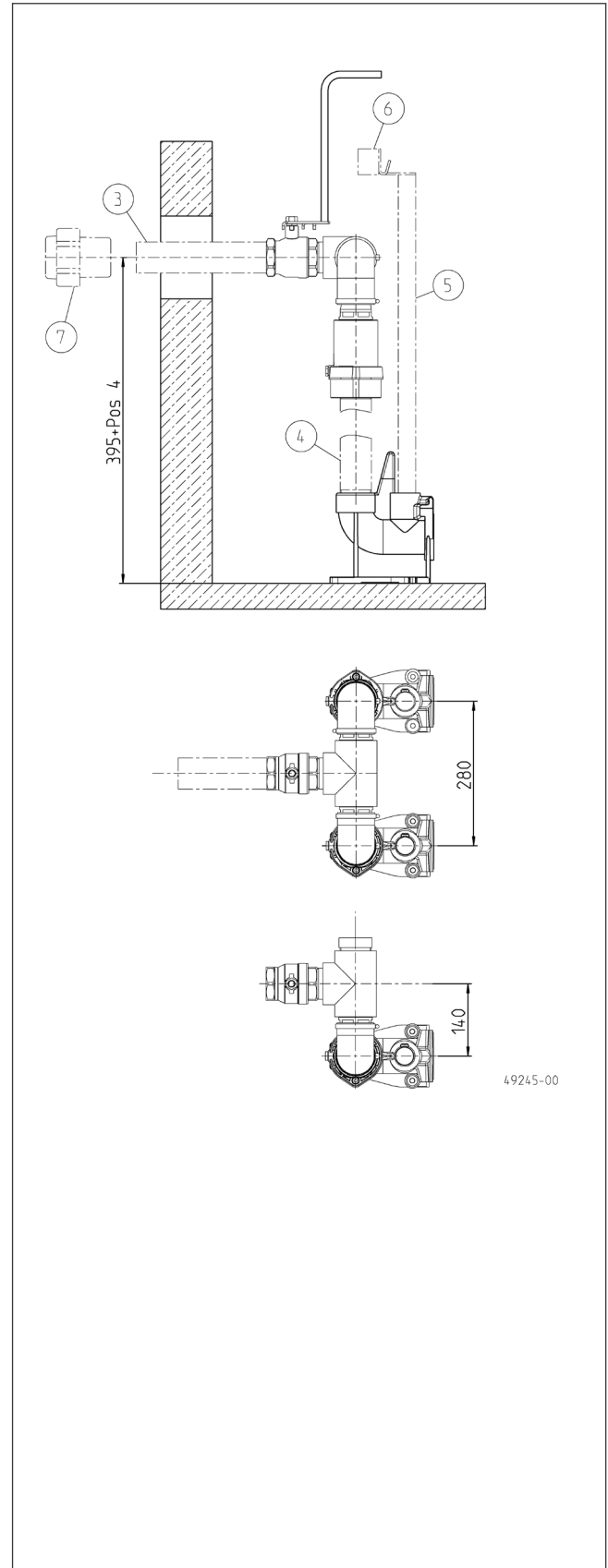
INSTALLATION SETS

DN 40 - DN 150

DN 40 for MultiCut pumps



DN 50 for sewage pumps



INSTALLATION SETS

DN 40 - DN 150

		Code No.	Weight kg
① Fitting Set			
DN 40 Single unit	MultiCut	JP48923	12.9
Duplex unit	MultiCut	JP48924	26.1
DN 50 Single unit	US 62-253, US 75-155, UV 600	JP48925	14.3
Duplex unit	US 62-253, US 75-155, UV 600	JP48926	26.6
② Reducing socket	for US 62-152, US 73-153	JP48069	0.4
Securing lever	for US 75-155	JP41024	0.5
	for UV 600	JP49171	0.5
T-Key		JP46438	1.0
③ Wall bushing set	DN 40, 870 lg	JP48927	3.3
	DN 50, 400 lg	JP48928	1.6
④ Pipe work per pump	stainless steel		
DN 40, 1000 mm lg		JP48929	3.7
DN 40, 1500 mm lg		JP48930	5.5
DN 40, 2000 mm lg		JP48931	7.3
DN 40, 2500 mm lg		JP48932	9.1
DN 50, 1000 mm lg	PP	JP48933	1.2
DN 50, 1500 mm lg		JP48934	1.8
DN 50, 2000 mm lg		JP48935	2.4
DN 50, 2500 mm lg		JP48936	3.0
⑤ Guide rail per pump	stainless steel		
1000 mm lg	1"	JP50318	2.5
1500 mm lg	1"	JP48937	3.7
2000 mm lg	1"	JP48938	4.9
2500 mm lg	1"	JP48939	6.1
3000 mm lg	1"	JP48940	7.3
⑥ Tie-bar for guide rail retainer	stainless steel , Ø 1000-2000	JP48941	6.6
⑦ Screwed joint	1 1/2" Ø 50 mm	JP45948	0.3
	1 1/2" Ø 63 mm	JP45949	0.4
	2" Ø 63 mm	JP45950	0.5
⑧ Perrot Flushing connection -32/40	galvanised	JP42059	3.2
Storz C Flushing connection -32/40	1 1/2", galvanised	JP42060	1.4
⑨ Perrot Breathing valve		JP22422	1.5
Perrot DRS-Connection		JP22421	0.5
Perrot DRS + Breathing valve		JP22419	1.5
Perrot Flushing connector 1"		JP22466	0.4
Perrot Claw coupling		JP22420	0.5
Perrot Hose connection		JP19202	0.4
Perrot Pressure gauge		JP44854	0.4
Perrot C-Coupling		JP41582	0.4
Storz C Breathing valve		JP41583	8.3
Storz C DRS-Connection 1/2"		JP41584	8.3
Storz C DRS-Connection 3/4"		JP41585	8.3
⑩ Ventilation pipe		JP44858	4.3

INSTALLATION SETS

DN 40 - DN 150

DN 80 /100 /150 PE

	Ø 1500		Ø 2000	
	DN65+DN80	DN100	DN100	DN150
A	220	185	375	370
B	380	370	520	520
C	ca. 1200	ca. 1300	ca. 1500	ca. 1700
E	480	480	700	700
F	895+Pos3	1000+Pos3	1035+Pos3	1300+Pos3

45642-04

DN 80 /100 /150 stainless steel

	Ø 1500		Ø 2000	
	DN65+DN80	DN100	DN100	DN150
A	220	185	375	370
B	380	370	520	520
C	ca. 1200	ca. 1300	ca. 1500	ca. 1700
E	480	480	700	700
F	870+Pos3	990+Pos3	1025+Pos3	1315+Pos3

45642-04

INSTALLATION SETS

DN 40 - DN 150

				Code No.	Weight kg
① Fitting Set					
DN 65 (pipe DN 80)	for plastic	Ø D 1500	JP50266	154	
DN 80	for plastic	Ø D 1500	JP48942	155	
DN 100	for plastic	Ø D 1500	JP48943	214	
DN 100	for plastic	Ø D 2000	JP48944	216	
DN 150	for plastic	Ø D 2000	JP48945	428	
DN 65 (pipe DN 80)	for stainless steel	Ø D 1500	JP50267	155	
DN 80	for stainless steel	Ø D 1500	JP48946	155	
DN 100	for stainless steel	Ø D 1500	JP48947	220	
DN 100	for stainless steel	Ø D 2000	JP48948	246	
DN 150	for stainless steel	Ø D 2000	JP48949	431	
② Wall bushing set					
PE-plastic pipe with spigot	DN 80		JP45559	7.0	
for ring seal to be provided by customer	DN 100		JP45560	8.8	
	DN 150		JP45561	17.5	
Stainless steel wall duct	DN 80		JP45695	16.0	
	DN 100		JP45696	21.1	
	DN 150		JP45697	31.7	
③ Pipe work per pump					
		order 1 piece per pump			
DN 80, 1000 mm lg, reducible	F-piece, plastic		JP48950	3.9	
DN 80, 1500 mm lg, reducible	F-piece, plastic		JP48951	5.0	
DN 80, 2000 mm lg, reducible	F-piece, plastic		JP48952	6.0	
DN 100, 1000 mm lg, reducible	F-piece, plastic		JP48953	5.0	
DN 100, 1500 mm lg, reducible	F-piece, plastic		JP48954	6.6	
DN 100, 2000 mm lg, reducible	F-piece, plastic		JP48955	8.3	
DN 150, 1000 mm lg, reducible	F-piece, plastic		JP48956	10.2	
DN 150, 1500 mm lg, reducible	F-piece, plastic		JP48957	13.5	
DN 150, 2000 mm lg, reducible	F-piece, plastic		JP48958	16.8	
DN 80, 500 mm lg	FF-piece, stainless steel		JP48959	12.5	
DN 80, 1000 mm lg	FF-piece, stainless steel		JP48960	16.0	
DN 80, 1500 mm lg	FF-piece, stainless steel		JP48961	19.5	
DN 100, 500 mm lg	FF-piece, stainless steel		JP48962	15.6	
DN 100, 1000 mm lg	FF-piece, stainless steel		JP48963	21.6	
DN 100, 1500 mm lg	FF-piece, stainless steel		JP48964	27.6	
DN 150, 500 mm lg	FF-piece, stainless steel		JP48965	24.5	
DN 150, 1000 mm lg	FF-piece, stainless steel		JP48966	32.5	
DN 150, 1500 mm lg	FF-piece, stainless steel		JP48967	40.5	
④ Guide rail, stainless steel					
		order 2 pieces per pump			
1000 mm lg	1"		JP50318	2.5	
1500 mm lg	1"		JP48937	3.7	
2000 mm lg	1"		JP48938	4.9	
2500 mm lg	1"		JP48939	6.1	
3000 mm lg	1"		JP48940	7.3	
1500 mm lg	1 1/2"		JP48968	5.4	
2000 mm lg	1 1/2"		JP48969	7.2	
2500 mm lg	1 1/2"		JP48970	9.6	
3000 mm lg	1 1/2"		JP48971	10.8	
⑤ Tie-bar for guide rail retainer					
	stainless steel, Ø 1000-2000		JP48941	7.0	

INSTALLATION SETS

DN 40 - DN 150

			Code No.	Weight kg	
⑥	Perrot Flushing connection -65/80	galvanised	JP22353	1.4	
	Storz C Coupling	1 1/2", galvanised	JP44770	0.3	
		2", galvanised	JP50217	0.4	
⑦	Perrot Breathing valve		JP22422	1.4	
	Perrot DRS-Connection		JP22421	0.5	
	Perrot DRS + Breathing valve		JP22419	1.5	
	Perrot Flushing connector 1"		JP22466	0.4	
	Perrot Claw coupling		JP22420	0.5	
	Perrot Hose connection		JP19202	0.4	
	Perrot Pressure gauge		JP44854	0.3	
	Perrot C-Coupling		JP41582	0.4	
	Storz C Breathing valve		JP41583	8.3	
	Storz C DRS-Connection 1/2"		JP41584	8.3	
	Storz C DRS-Connection 3/4"		JP41585	8.3	
	⑧	Securing lever for C2-pumps,	stainless steel	2 x required for duplex units	JP50179
⑨	Ventilation pipe			JP44858	4.3