

# MULTISTREAM

## SEWAGE PUMPS

- Adjustable single-channel impeller
- Connection alternatively PN6 or PN10
- Safe to run dry
- Controllable oil chamber
- Plug-type cable connection (MultiStream 10...-100...)
- SiC mechanical seal independent of sense of rotation
- Moisture-sealed cable inlet
- Installed motor protection



### DESCRIPTION

The centrifugal submersible sewage pumps MultiStream are suitable for handling effluent or sewage in municipal and industrial pumping stations as well as in surface water drainage applications. The smaller types are also used very successfully as portable units to deal with emergency situations.

The submersible pumps are made in accordance to EN 12050 with 10 m cable and free lead ends, are available with or without explosion protection (Ex II 2 G Ex db IIB T4 Gb). The through shaft is fully encapsulated against the pumped media and with its short shaft end a long life span is ensured.

The adjustable axial gap of the MultiStream-pump makes it possible to re-optimize the efficiency in case of abrasion by adjusting only one single screw. This can be done very cost-effective when the maintenance is carried out and the pump keeps its optimum performance on a long-term basis.

MultiStream-pumps are recommended for:

effluent which contains fibrous matter / effluent which contains solids / mixed water / raw effluent / rainwater



### MECHANICAL DATA

|                     |  |                    |                                       |
|---------------------|--|--------------------|---------------------------------------|
| Pump                | Vertical single-stage                        | Run dry protection | Yes                                   |
| Bearing             | Ball bearings, grease-lubricated             | Impeller           | Channel impeller, grey cast iron      |
| Seal on motor side  | Duplex shaft seal, from 55/: mechanical seal |                    | from 55/2... spheroidal graphite iron |
| Oil chamber         | Yes  | Motor housing      | Grey cast iron                        |
| Seal on medium side | SiC mechanical seal                          | Pump housing       | Grey cast iron                        |
|                     |  | Submersible        | Yes                                   |

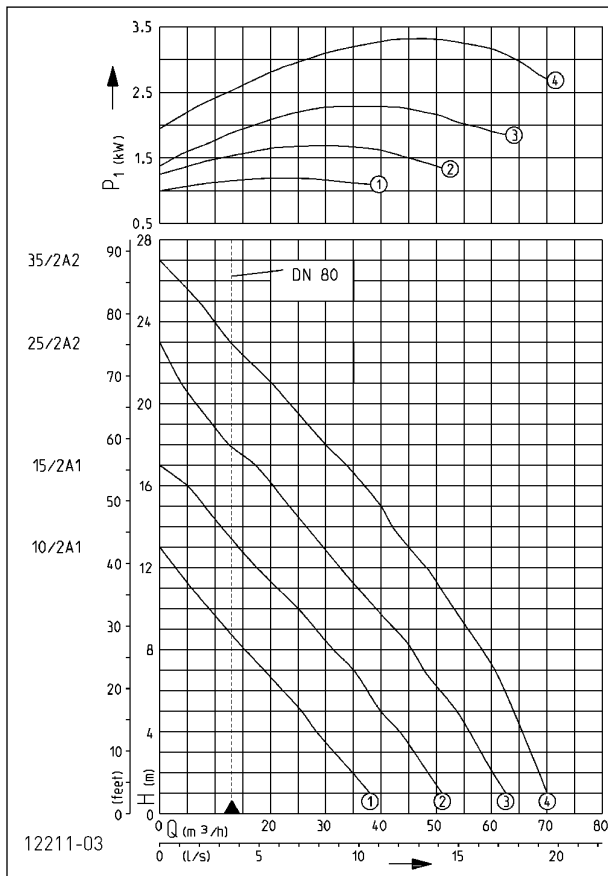
### ELECTRICAL DATA

|            |             |                   |       |
|------------|-------------|-------------------|-------|
| Power line | 10m H07RN-F | Type of enclosure | IP 68 |
|------------|-------------|-------------------|-------|

# MULTISTREAM

## SEWAGE PUMPS

### PERFORMANCE



| Type        | Single unit |          | Duplex unit |          |
|-------------|-------------|----------|-------------|----------|
|             | Code No.    | Type     | Code No.    | Type     |
| 10/2 A1     | JP09615     | AD 25    | JP00310     | BD 25    |
| 15/2 A1     | JP09616     | AD 25    | JP00310     | BD 25    |
| 25/2 A2     | JP09617     | AD 46    | JP14353     | BD 46    |
| 35/2 A2     | JP09651     | AD 610   | JP14354     | BD 610   |
| 10/2 A1, Ex | JP09628     | AD 25 X  | JP09683     | BD 25 X  |
| 15/2 A1, Ex | JP09629     | AD 25 X  | JP09683     | BD 25 X  |
| 25/2 A2, Ex | JP09630     | AD 46 X  | JP14355     | BD 46 X  |
| 35/2 A2, Ex | JP09653     | AD 610 X | JP14356     | BD 610 X |

Additional requirements, see technical data control units

| Type    | Delivery head H [m] | 1  | 2  | 3  | 4  | 5  | 6  | 7  | 8  | 9  | 10 | 12 | 14 | 16 | 18 | 20 | 22 | 24 |
|---------|---------------------|----|----|----|----|----|----|----|----|----|----|----|----|----|----|----|----|----|
| 10/2 A1 | Flow rate Q [m³/h]  | 38 | 35 | 32 | 29 | 26 | 22 | 19 | 15 | 12 | 9  |    |    |    |    |    |    |    |
| 15/2 A1 |                     | 50 | 48 | 46 | 43 | 40 | 37 | 35 | 32 | 28 | 25 | 18 | 11 | 5  |    |    |    |    |
| 25/2 A2 |                     | 62 | 60 | 58 | 56 | 54 | 51 | 48 | 46 | 42 | 39 | 33 | 27 | 20 | 13 | 7  |    |    |
| 35/2 A2 |                     | 70 | 69 | 67 | 66 | 64 | 63 | 61 | 58 | 56 | 53 | 48 | 43 | 37 | 30 | 24 | 16 | 10 |

Specifications can be changed without notice. Performance subject to ISO 9906 tolerances.

The minimum flow rate in the pressure pipe of  $v = 0,7 \text{ m/s}$  is marked in the Q-H-diagram (operative limit).

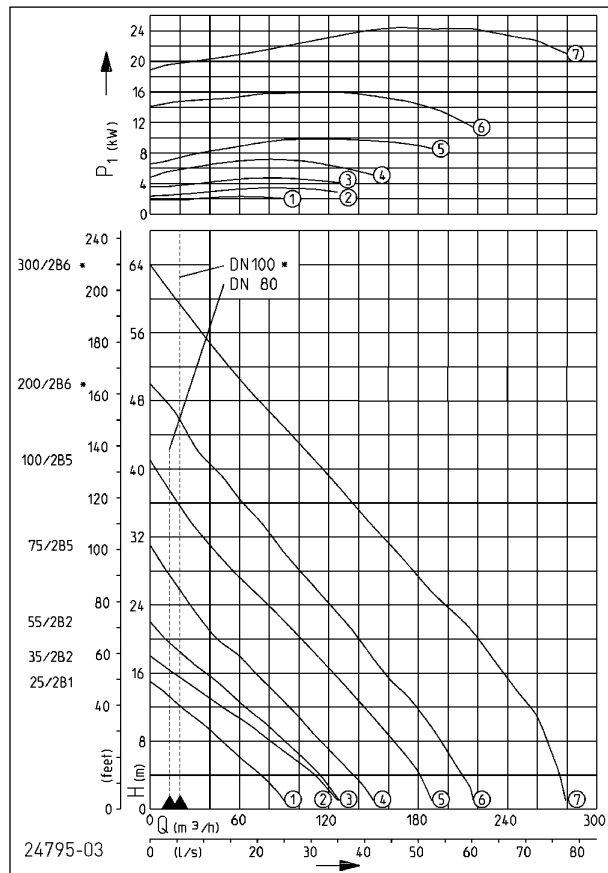
### MULTISTREAM DN 65, N = 2900 MIN-1

| Type    | Voltage    | Motor rating |         | Current | Wires | Fuse | S3   | Free pas-<br>sage | Pressure<br>outlet | Weight |
|---------|------------|--------------|---------|---------|-------|------|------|-------------------|--------------------|--------|
|         |            | P1           | P2      |         |       |      |      |                   |                    |        |
| 10/2 A1 | 3/PE~400 V | 1.3 kW       | 1.10 kW | 2.7 A   | 6G1,5 | 10 A | 60 % | 40 mm             | DN 65              | 41 kg  |
| 15/2 A1 | 3/PE~400 V | 1.8 kW       | 1.50 kW | 3.3 A   | 6G1,5 | 10 A | 50 % | 40 mm             | DN 65              | 42 kg  |
| 25/2 A2 | 3/PE~400 V | 2.6 kW       | 2.10 kW | 4.4 A   | 6G1,5 | 10 A | 40 % | 40 mm             | DN 65              | 48 kg  |
| 35/2 A2 | 3/PE~400 V | 3.7 kW       | 3.04 kW | 6.6 A   | 6G1,5 | 10 A | 40 % | 40 mm             | DN 65              | 52 kg  |

# MULTISTREAM

## SEWAGE PUMPS

### PERFORMANCE



| Type         | Single unit |          | Duplex unit |          |
|--------------|-------------|----------|-------------|----------|
|              | Code No.    | Type     | Code No.    | Type     |
| 25/2 B1      | JP09618     | AD 46    | JP14353     | BD 46    |
| 35/2 B2      | JP09652     | AD 610   | JP14354     | BD 610   |
| 55/2 B2      | JP09663     | AS 46    | JP14406     | BS 46    |
| 75/2 B5      | JP00485     | AS 610   | JP14407     | BS 610   |
| 100/2 B5     | JP09740     | AS 1016  | JP14408     | BS 1016  |
| 200/2 B6     | JP00492     | AS 1624  | JP14409     | BS 1624  |
| 300/2 B6     | JP00471     | AS 2440  | JP14410     | BS 2440  |
| 25/2 B1, Ex  | JP09631     | AD 46 X  | JP14355     | BD 46 X  |
| 35/2 B2, Ex  | JP09654     | AD 610 X | JP14356     | BD 610 X |
| 55/2 B2, Ex  | JP09664     | AS 46    | JP14406     | BS 46    |
| 75/2 B5, Ex  | JP09665     | AS 610   | JP14407     | BS 610   |
| 100/2 B5, Ex | JP09741     | AS 1016  | JP14408     | BS 1016  |
| 200/2 B6, Ex | JP00472     | AS 1624  | JP14409     | BS 1624  |
| 300/2 B6, Ex | JP00473     | AS 2440  | JP14410     | BS 2440  |

Additional requirements, see technical data control units

| Type     | Delivery head H [m] | 1   | 3   | 6   | 9   | 12  | 15  | 18  | 21  | 24  | 27  | 30  | 33  | 36  | 40  | 43  | 46 | 50 | 53 | 56 | 60 |  |
|----------|---------------------|-----|-----|-----|-----|-----|-----|-----|-----|-----|-----|-----|-----|-----|-----|-----|----|----|----|----|----|--|
| 25/2 B1  | Flow rate Q [m³/h]  | 91  | 80  | 62  | 43  | 21  |     |     |     |     |     |     |     |     |     |     |    |    |    |    |    |  |
| 35/2 B2  |                     | 126 | 117 | 97  | 73  | 49  | 23  |     |     |     |     |     |     |     |     |     |    |    |    |    |    |  |
| 55/2 B2  |                     | 127 | 118 | 103 | 85  | 65  | 44  | 24  | 6   |     |     |     |     |     |     |     |    |    |    |    |    |  |
| 75/2 B5  |                     | 150 | 142 | 126 | 110 | 93  | 77  | 59  | 42  | 27  | 15  |     |     |     |     |     |    |    |    |    |    |  |
| 100/2 B5 |                     | 190 | 184 | 173 | 159 | 144 | 129 | 113 | 97  | 78  | 63  | 46  | 32  | 18  |     |     |    |    |    |    |    |  |
| 200/2 B6 |                     | 217 | 215 | 204 | 191 | 177 | 162 | 149 | 136 | 120 | 104 | 91  | 77  | 62  | 43  | 28  | 19 |    |    |    |    |  |
| 300/2 B6 |                     | 280 | 277 | 270 | 263 | 254 | 242 | 229 | 216 | 199 | 183 | 167 | 152 | 136 | 113 | 100 | 84 | 63 | 49 | 34 | 17 |  |

Specifications can be changed without notice. Performance subject to ISO 9906 tolerances.

The minimum flow rate in the pressure pipe of  $v = 0,7 \text{ m/s}$  is marked in the Q-H-diagram (operative limit).

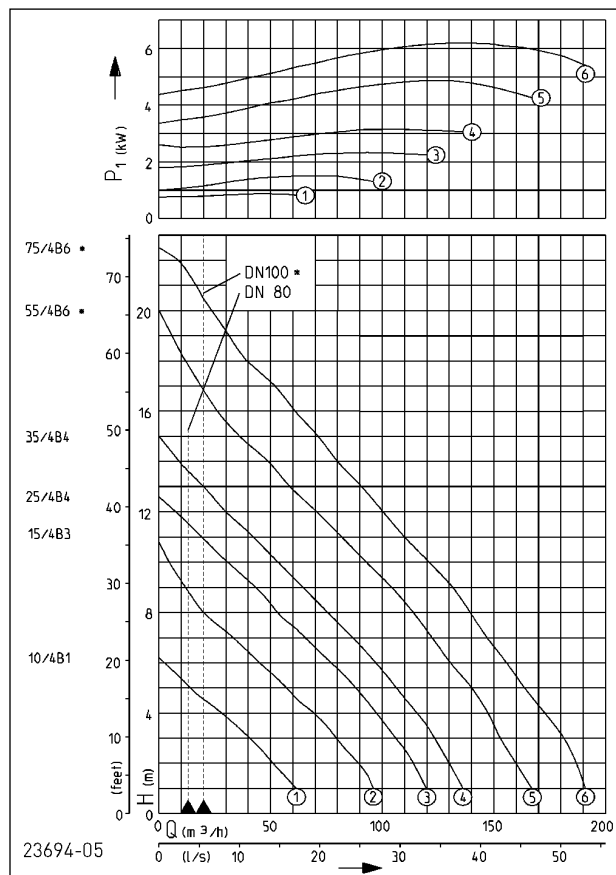
### MULTISTREAM DN 80 / 100, N = 2900 MIN-1

| Type     | Voltage        | Motor rating |          | Current       | Wires   | Fuse | S3   | Free pas-<br>sage | Pressure<br>outlet | Weight |
|----------|----------------|--------------|----------|---------------|---------|------|------|-------------------|--------------------|--------|
|          |                | P1           | P2       |               |         |      |      |                   |                    |        |
| 25/2 B1  | 3/PE~400 V     | 2.6 kW       | 2.10 kW  | 4.4 A         | 6G1,5   | 10 A | 40 % | 70 mm             | DN 80              | 45 kg  |
| 35/2 B2  | 3/PE~400 V     | 3.7 kW       | 3.04 kW  | 6.6 A         | 6G1,5   | 10 A | 40 % | 70 mm             | DN 80              | 55 kg  |
| 55/2 B2  | 3/PE~400/690 V | 5.2 kW       | 4.45 kW  | 8.7 A/5.0 A   | 10G2,5  | 16 A | 40 % | 70 mm             | DN 80              | 88 kg  |
| 75/2 B5  | 3/PE~400/690 V | 7.7 kW       | 6.60 kW  | 13.2 A/7.7 A  | 10G2,5  | 20 A | 30 % | 70 mm             | DN 80              | 98 kg  |
| 100/2 B5 | 3/PE~400/690 V | 10.5 kW      | 9.20 kW  | 17.6 A/10.2 A | 10G2,5  | 25 A | 30 % | 70 mm             | DN 80              | 121 kg |
| 200/2 B6 | 3/PE~400/690 V | 17.3 kW      | 15.40 kW | 28.8 A/16.7 A | 10G2,5  | 35 A | 45 % | 70 mm             | DN 100             | 212 kg |
| 300/2 B6 | 3/PE~400/690 V | 27.0 kW      | 24.45 kW | 43.0 A/24.7 A | 7G6+3x1 | 50 A | 35 % | 70 mm             | DN 100             | 257 kg |

# MULTISTREAM

## SEWAGE PUMPS

### PERFORMANCE



| Type        | Single unit |          | Duplex unit |          |
|-------------|-------------|----------|-------------|----------|
|             | Code No.    | Type     | Code No.    | Type     |
| 10/4 B1     | JP09620     | AD 25    | JP00310     | BD 25    |
| 15/4 B3     | JP09622     | AD 25    | JP00310     | BD 25    |
| 25/4 B4     | JP09623     | AD 46    | JP14353     | BD 46    |
| 35/4 B4     | JP09647     | AD 610   | JP14354     | BD 610   |
| 55/4 B6     | JP00486     | AS 610   | JP14407     | BS 610   |
| 75/4 B6     | JP00489     | AS 610   | JP14407     | BS 610   |
| 10/4 B1, Ex | JP09633     | AD 25 X  | JP09683     | BD 25 X  |
| 15/4 B3, Ex | JP09635     | AD 25 X  | JP09683     | BD 25 X  |
| 25/4 B4, Ex | JP09636     | AD 46 X  | JP14355     | BD 46 X  |
| 35/4 B4, Ex | JP09649     | AD 610 X | JP14356     | BD 610 X |
| 55/4 B6, Ex | JP09666     | AS 610   | JP14407     | BS 610   |
| 75/4 B6, Ex | JP09667     | AS 610   | JP14407     | BS 610   |

Additional requirements, see technical data control units

| Type    | Delivery head H [m] | 1   | 2   | 3   | 4   | 5   | 6   | 7   | 8   | 9   | 10  | 11  | 12  | 14 | 15 | 16 | 17 | 18 | 20 |
|---------|---------------------|-----|-----|-----|-----|-----|-----|-----|-----|-----|-----|-----|-----|----|----|----|----|----|----|
| 10/4 B1 | Flow rate Q [m³/h]  | 60  | 51  | 40  | 28  | 14  | 3   |     |     |     |     |     |     |    |    |    |    |    |    |
| 15/4 B3 |                     | 98  | 89  | 79  | 69  | 57  | 45  | 33  | 20  | 12  | 5   |     |     |    |    |    |    |    |    |
| 25/4 B4 |                     | 120 | 114 | 106 | 97  | 87  | 77  | 65  | 53  | 43  | 31  | 19  |     |    |    |    |    |    |    |
| 35/4 B4 |                     | 132 | 125 | 119 | 112 | 104 | 95  | 85  | 74  | 64  | 53  | 43  | 30  | 10 |    |    |    |    |    |
| 55/4 B6 |                     | 167 | 160 | 154 | 147 | 140 | 132 | 123 | 114 | 104 | 93  | 82  | 72  | 49 | 39 | 28 | 19 | 12 |    |
| 75/4 B6 |                     | 191 | 188 | 181 | 173 | 163 | 157 | 149 | 141 | 131 | 122 | 113 | 104 | 82 | 73 | 62 | 52 | 41 | 24 |

Specifications can be changed without notice. Performance subject to ISO 9906 tolerances.

The minimum flow rate in the pressure pipe of  $v = 0,7 \text{ m/s}$  is marked in the Q-H-diagram (operative limit).

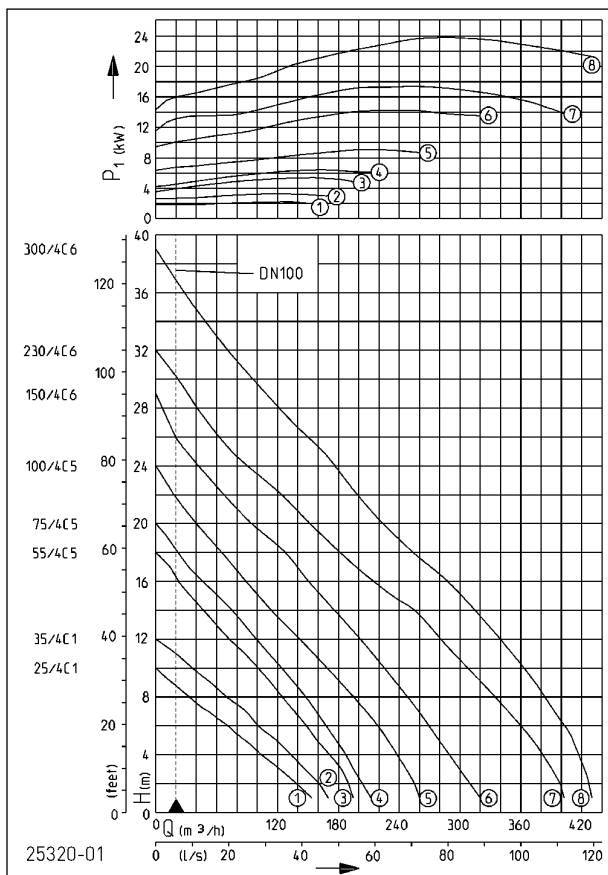
### MULTISTREAM DN 80 / 100, N = 1450 MIN-1

| Type    | Voltage        | Motor rating |         | Current      | Wires  | Fuse | S3   | Free pas-<br>sage | Pressure<br>outlet | Weight |
|---------|----------------|--------------|---------|--------------|--------|------|------|-------------------|--------------------|--------|
|         |                | P1           | P2      |              |        |      |      |                   |                    |        |
| 10/4 B1 | 3/PE~400 V     | 0.95 kW      | 0.73 kW | 2.4 A        | 6G1,5  | 10 A | 50 % | 70 mm             | DN 80              | 45 kg  |
| 15/4 B3 | 3/PE~400 V     | 1.80 kW      | 1.40 kW | 3.4 A        | 6G1,5  | 10 A | 40 % | 70 mm             | DN 80              | 50 kg  |
| 25/4 B4 | 3/PE~400 V     | 2.70 kW      | 2.04 kW | 4.6 A        | 6G1,5  | 10 A | 25 % | 70 mm             | DN 80              | 59 kg  |
| 35/4 B4 | 3/PE~400 V     | 3.50 kW      | 2.65 kW | 6.9 A        | 6G1,5  | 10 A | 25 % | 70 mm             | DN 80              | 62 kg  |
| 55/4 B6 | 3/PE~400/690 V | 5.80 kW      | 4.65 kW | 10.2 A/5.9 A | 10G2,5 | 16 A | 20 % | 70 mm             | DN 100             | 111 kg |
| 75/4 B6 | 3/PE~400/690 V | 7.20 kW      | 5.90 kW | 12.8 A/7.4 A | 10G2,5 | 20 A | 25 % | 70 mm             | DN 100             | 116 kg |

# MULTISTREAM

## SEWAGE PUMPS

### PERFORMANCE



| Type         | Single unit |          | Duplex unit |          |
|--------------|-------------|----------|-------------|----------|
|              | Code No.    | Type     | Code No.    | Type     |
| 25/4 C1      | JP09624     | AD 46    | JP14353     | BD 46    |
| 35/4 C1      | JP09648     | AD 610   | JP14354     | BD 610   |
| 55/4 C5      | JP09901     | AS 610   | JP14407     | BS 610   |
| 75/4 C5      | JP09904     | AS 610   | JP14407     | BS 610   |
| 100/4 C5     | JP09275     | AS 1016  | JP14408     | BS 1016  |
| 150/4 C6     | JP09882     | AS 1624  | JP14409     | BS 1624  |
| 230/4 C6     | JP09885     | AS 1624  | JP14409     | BS 1624  |
| 300/4 C6     | JP09888     | AS 2440  | JP14410     | BS 2440  |
| 25/4 C1, Ex  | JP09637     | AD 46 X  | JP14355     | BD 46 X  |
| 35/4 C1, Ex  | JP09650     | AD 610 X | JP14356     | BD 610 X |
| 55/4 C5, Ex  | JP09902     | AS 610   | JP14407     | BS 610   |
| 75/4 C5, Ex  | JP09905     | AS 610   | JP14407     | BS 610   |
| 100/4 C5, Ex | JP09276     | AS 1016  | JP14408     | BS 1016  |
| 150/4 C6, Ex | JP09883     | AS 1624  | JP14409     | BS 1624  |
| 230/4 C6, Ex | JP09886     | AS 1624  | JP14409     | BS 1624  |
| 300/4 C6, Ex | JP09889     | AS 2440  | JP14410     | BS 2440  |

Additional requirements, see technical data control units

| Type     | Delivery head H [m] | 1   | 3   | 5   | 7   | 9   | 12  | 14  | 16  | 18  | 20  | 23  | 24  | 26  | 27  | 28  | 29  | 30 | 31 | 34 | 37 | 38 |  |
|----------|---------------------|-----|-----|-----|-----|-----|-----|-----|-----|-----|-----|-----|-----|-----|-----|-----|-----|----|----|----|----|----|--|
| 25/4 C1  | Flow rate Q [m³/h]  | 154 | 122 | 87  | 51  | 16  |     |     |     |     |     |     |     |     |     |     |     |    |    |    |    |    |  |
| 35/4 C1  |                     | 170 | 146 | 119 | 89  | 54  |     |     |     |     |     |     |     |     |     |     |     |    |    |    |    |    |  |
| 55/4 C5  |                     | 198 | 181 | 160 | 136 | 112 | 74  | 45  | 22  |     |     |     |     |     |     |     |     |    |    |    |    |    |  |
| 75/4 C5  |                     | 212 | 195 | 179 | 160 | 138 | 99  | 74  | 46  | 22  |     |     |     |     |     |     |     |    |    |    |    |    |  |
| 100/4 C5 |                     | 260 | 247 | 228 | 207 | 182 | 142 | 114 | 89  | 65  | 40  | 9   |     |     |     |     |     |    |    |    |    |    |  |
| 150/4 C6 |                     | 320 | 302 | 280 | 260 | 236 | 202 | 177 | 152 | 126 | 96  | 54  | 43  | 20  | 14  | 8   |     |    |    |    |    |    |  |
| 230/4 C6 |                     | 405 | 390 | 372 | 344 | 320 | 283 | 255 | 218 | 182 | 155 | 110 | 91  | 62  | 51  | 40  | 32  | 22 | 8  |    |    |    |  |
| 300/4 C6 |                     | 430 | 421 | 411 | 393 | 374 | 341 | 315 | 289 | 254 | 225 | 188 | 176 | 151 | 135 | 117 | 107 | 95 | 83 | 47 | 19 | 10 |  |

Specifications can be changed without notice. Performance subject to ISO 9906 tolerances.

The minimum flow rate in the pressure pipe of  $v = 0.7$  m/s is marked in the Q-H-diagram (operative limit).

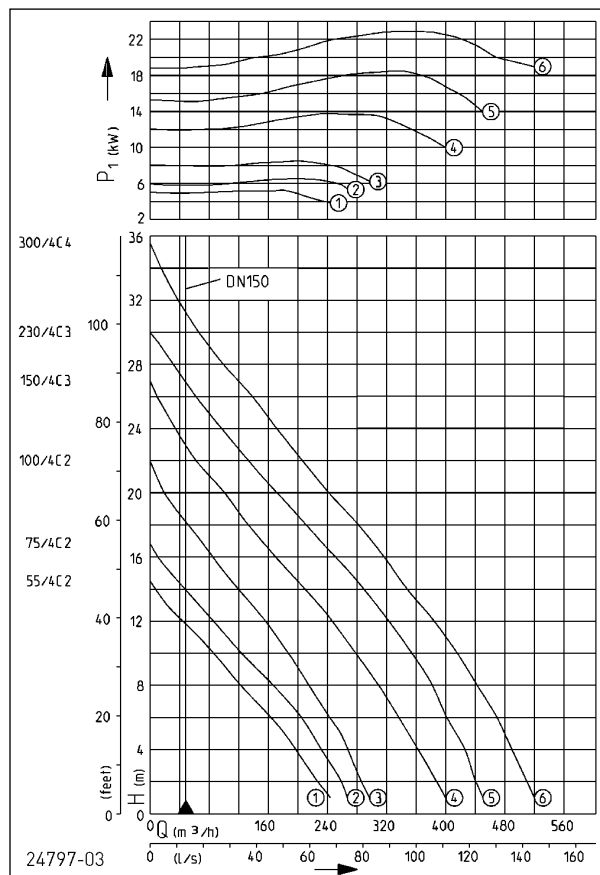
### MULTISTREAM DN 100, N = 1450 MIN-1

| Type     | Voltage        | Motor rating |          | Current       | Wires   | Fuse | S3   | Free pas-<br>sage | Pressure<br>outlet | Weight |
|----------|----------------|--------------|----------|---------------|---------|------|------|-------------------|--------------------|--------|
|          |                | P1           | P2       |               |         |      |      |                   |                    |        |
| 25/4 C1  | 3/PE~400 V     | 2.4 kW       | 1.90 kW  | 4.2 A         | 6G1,5   | 10 A | 30 % | 100 mm            | DN 100             | 63 kg  |
| 35/4 C1  | 3/PE~400 V     | 3.5 kW       | 2.65 kW  | 6.9 A         | 6G1,5   | 10 A | 25 % | 100 mm            | DN 100             | 67 kg  |
| 55/4 C5  | 3/PE~400/690 V | 5.8 kW       | 4.65 kW  | 10.2 A/5.9 A  | 10G2,5  | 16 A | 20 % | 100 mm            | DN 100             | 119 kg |
| 75/4 C5  | 3/PE~400/690 V | 7.2 kW       | 5.90 kW  | 12.8 A/7.4 A  | 10G2,5  | 20 A | 25 % | 100 mm            | DN 100             | 124 kg |
| 100/4 C5 | 3/PE~400/690 V | 9.5 kW       | 7.94 kW  | 17.2 A/10.0 A | 10G2,5  | 25 A | 25 % | 100 mm            | DN 100             | 138 kg |
| 150/4 C6 | 3/PE~400/690 V | 15.0 kW      | 13.20 kW | 26.7 A/15.5 A | 10G2,5  | 35 A | 40 % | 100 mm            | DN 100             | 247 kg |
| 230/4 C6 | 3/PE~400/690 V | 19.3 kW      | 17.00 kW | 34.1 A/19.8 A | 10G2,5  | 35 A | 35 % | 100 mm            | DN 100             | 275 kg |
| 300/4 C6 | 3/PE~400/690 V | 25.5 kW      | 22.65 kW | 45.5 A/26.4 A | 7G6+3x1 | 50 A | 25 % | 100 mm            | DN 100             | 296 kg |

# MULTISTREAM

## SEWAGE PUMPS

### PERFORMANCE



| Type         | Single unit |         | Duplex unit |         |
|--------------|-------------|---------|-------------|---------|
|              | Code No.    | Type    | Code No.    | Type    |
| 55/4 C2      | JP00487     | AS 610  | JP14407     | BS 610  |
| 75/4 C2      | JP00490     | AS 610  | JP14407     | BS 610  |
| 100/4 C2     | JP09678     | AS 1016 | JP14408     | BS 1016 |
| 150/4 C3     | JP00491     | AS 1624 | JP14409     | BS 1624 |
| 230/4 C3     | JP00883     | AS 1624 | JP14409     | BS 1624 |
| 300/4 C4     | JP00493     | AS 2440 | JP14410     | BS 2440 |
| 55/4 C2, Ex  | JP09668     | AS 610  | JP14407     | BS 610  |
| 75/4 C2, Ex  | JP09669     | AS 610  | JP14407     | BS 610  |
| 100/4 C2, Ex | JP09679     | AS 1016 | JP14408     | BS 1016 |
| 150/4 C3, Ex | JP00474     | AS 1624 | JP14409     | BS 1624 |
| 230/4 C3, Ex | JP00884     | AS 1624 | JP14409     | BS 1624 |
| 300/4 C4, Ex | JP00475     | AS 2440 | JP14410     | BS 2440 |

Additional requirements, see technical data control units

| Type     | Delivery head H [m] | 1   | 3   | 5   | 7   | 9   | 11  | 13  | 15  | 17  | 19  | 20  | 21  | 24  | 25  | 27  | 29 | 30 | 31 | 33 | 34 |  |
|----------|---------------------|-----|-----|-----|-----|-----|-----|-----|-----|-----|-----|-----|-----|-----|-----|-----|----|----|----|----|----|--|
| 55/4 C2  | Flow rate Q [m³/h]  | 245 | 214 | 184 | 144 | 105 | 62  | 22  |     |     |     |     |     |     |     |     |    |    |    |    |    |  |
| 75/4 C2  |                     | 270 | 245 | 216 | 185 | 146 | 105 | 64  | 26  |     |     |     |     |     |     |     |    |    |    |    |    |  |
| 100/4 C2 |                     | 300 | 278 | 258 | 229 | 202 | 167 | 130 | 96  | 65  | 33  | 18  |     |     |     |     |    |    |    |    |    |  |
| 150/4 C3 |                     | 400 | 373 | 349 | 325 | 295 | 263 | 227 | 192 | 150 | 116 | 100 | 81  | 34  | 21  |     |    |    |    |    |    |  |
| 230/4 C3 |                     | 455 | 434 | 415 | 394 | 369 | 338 | 308 | 272 | 231 | 191 | 172 | 153 | 98  | 80  | 45  | 17 |    |    |    |    |  |
| 300/4 C4 |                     | 520 | 500 | 478 | 455 | 426 | 399 | 364 | 334 | 298 | 263 | 242 | 223 | 172 | 157 | 118 | 83 | 66 | 51 | 26 | 15 |  |

Specifications can be changed without notice. Performance subject to ISO 9906 tolerances.

The minimum flow rate in the pressure pipe of  $v = 0,7 \text{ m/s}$  is marked in the Q-H-diagram (operative limit).

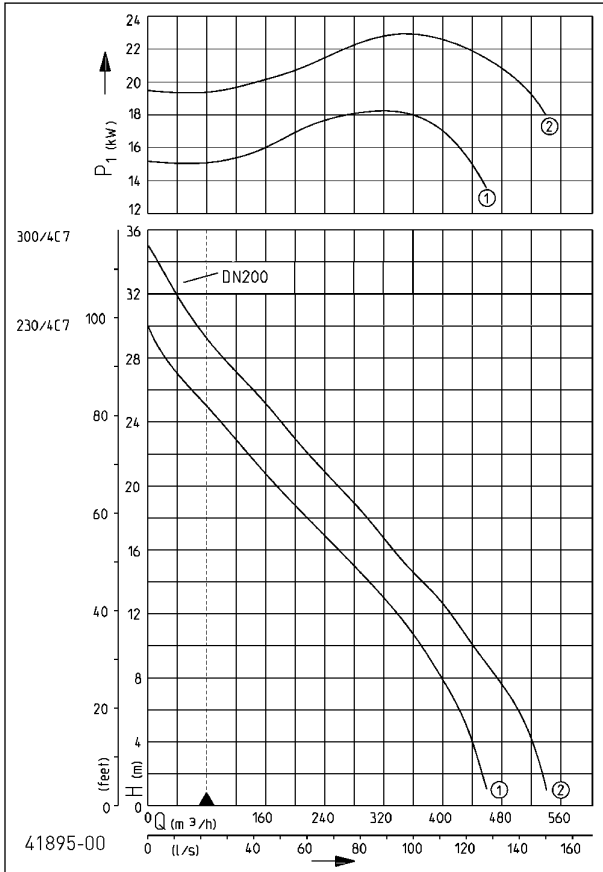
### MULTISTREAM DN 150, N = 1450 MIN-1

| Type     | Voltage        | Motor rating |          | Current       | Wires   | Fuse | S3   | Free pas-<br>sage | Pressure<br>outlet | Weight |
|----------|----------------|--------------|----------|---------------|---------|------|------|-------------------|--------------------|--------|
|          |                | P1           | P2       |               |         |      |      |                   |                    |        |
| 55/4 C2  | 3/PE~400/690 V | 5.8 kW       | 4.65 kW  | 10.2 A/5.9 A  | 10G2,5  | 16 A | 20 % | 100 mm            | DN 150             | 125 kg |
| 75/4 C2  | 3/PE~400/690 V | 7.2 kW       | 5.90 kW  | 12.8 A/7.4 A  | 10G2,5  | 20 A | 25 % | 100 mm            | DN 150             | 131 kg |
| 100/4 C2 | 3/PE~400/690 V | 9.5 kW       | 7.94 kW  | 17.2 A/10.0 A | 10G2,5  | 25 A | 25 % | 100 mm            | DN 150             | 149 kg |
| 150/4 C3 | 3/PE~400/690 V | 15.0 kW      | 13.20 kW | 26.7 A/15.5 A | 10G2,5  | 35 A | 40 % | 100 mm            | DN 150             | 268 kg |
| 230/4 C3 | 3/PE~400/690 V | 19.3 kW      | 17.00 kW | 34.1 A/19.8 A | 10G2,5  | 35 A | 35 % | 100 mm            | DN 150             | 288 kg |
| 300/4 C4 | 3/PE~400/690 V | 25.5 kW      | 22.65 kW | 45.5 A/26.4 A | 7G6+3x1 | 50 A | 25 % | 100 mm            | DN 150             | 308 kg |

# MULTISTREAM

## SEWAGE PUMPS

### PERFORMANCE



| Type         | Single unit |         | Duplex unit |         |
|--------------|-------------|---------|-------------|---------|
|              | Code No.    | Type    | Code No.    | Type    |
| 230/4 C7     | JP09392     | AS 1624 | JP14409     | BS 1624 |
| 300/4 C7     | JP09394     | AS 2440 | JP14410     | BS 2440 |
| 230/4 C7, Ex | JP09393     | AS 1624 | JP14409     | BS 1624 |
| 300/4 C7, Ex | JP09395     | AS 2440 | JP14410     | BS 2440 |

Additional requirements, see technical data control units

| Type     | Delivery head H [m]  | 1   | 3   | 5   | 7   | 9   | 11  | 13  | 15  | 17  | 19  | 20  | 21  | 24  | 25  | 27  | 29 | 30 | 31 | 33 | 34 |  |
|----------|----------------------|-----|-----|-----|-----|-----|-----|-----|-----|-----|-----|-----|-----|-----|-----|-----|----|----|----|----|----|--|
| 230/4 C7 | Flow rate $Q$ [m³/h] | 460 | 443 | 429 | 409 | 387 | 358 | 322 | 282 | 240 | 196 | 177 | 158 | 97  | 78  | 42  | 11 |    |    |    |    |  |
| 300/4 C7 |                      | 540 | 524 | 509 | 483 | 453 | 427 | 396 | 355 | 318 | 280 | 258 | 238 | 180 | 165 | 126 | 87 | 71 | 54 | 26 | 15 |  |

Specifications can be changed without notice. Performance subject to ISO 9906 tolerances.

The minimum flow rate in the pressure pipe of  $v = 0,7$  m/s is marked in the Q-H-diagram (operative limit).

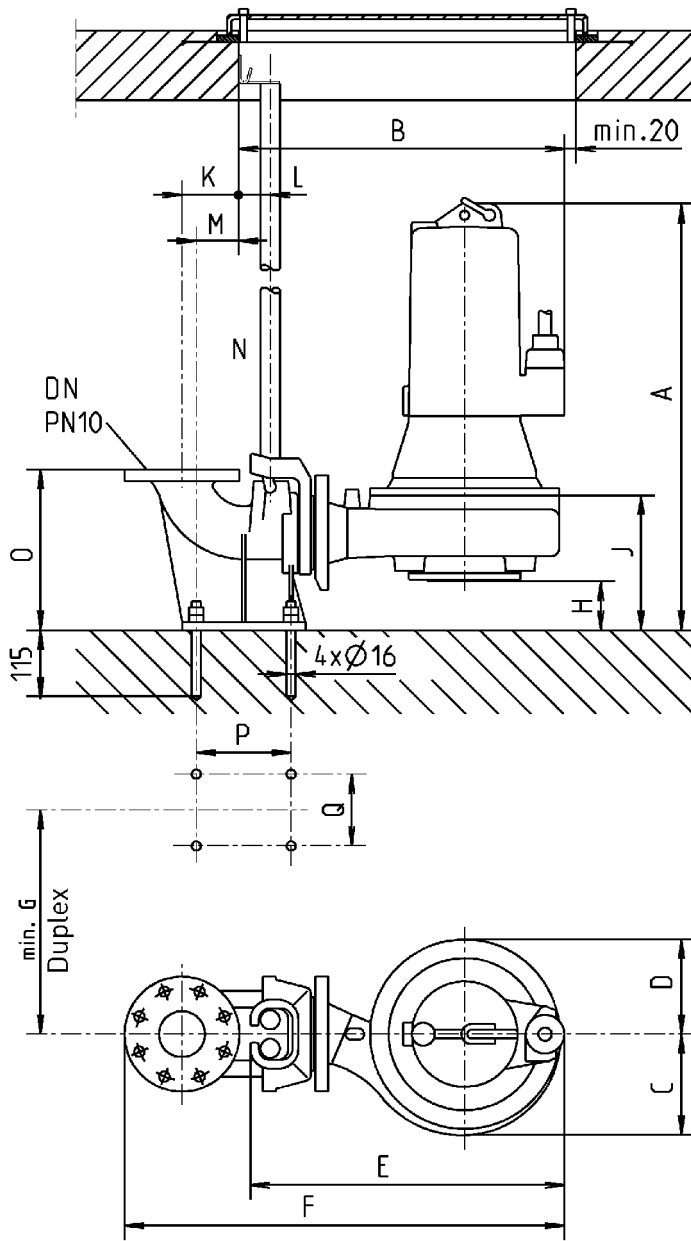
### MULTISTREAM DN 200, N = 1450 MIN-1

| Type     | Voltage        | Motor rating |          | Current       | Wires   | Fuse | S3   | Free pas-<br>sage | Pressure<br>outlet | Weight |
|----------|----------------|--------------|----------|---------------|---------|------|------|-------------------|--------------------|--------|
|          |                | P1           | P2       |               |         |      |      |                   |                    |        |
| 230/4 C7 | 3/PE~400/690 V | 19.3 kW      | 17.00 kW | 34.1 A/19.8 A | 10G2,5  | 35 A | 35 % | 100 mm            | DN 200             | 295 kg |
| 300/4 C7 | 3/PE~400/690 V | 25.5 kW      | 22.65 kW | 45.5 A/26.4 A | 7G6+3x1 | 50 A | 25 % | 100 mm            | DN 200             | 315 kg |

# MULTISTREAM

SEWAGE PUMPS

## Dimensions guide rail system



22574-06



# MULTISTREAM

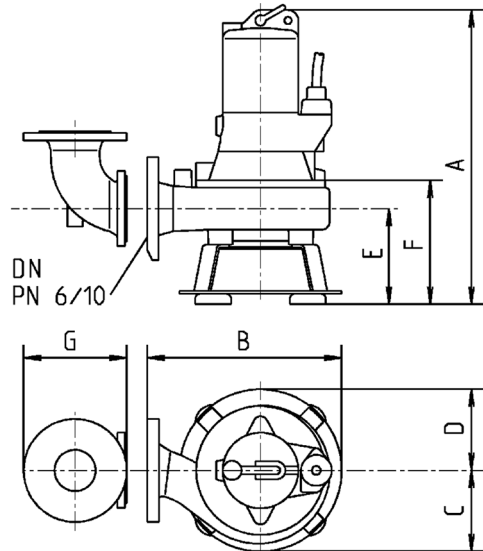
## SEWAGE PUMPS

|          | GR   | DN  | A    | B   | C   | D   | E   | F    | G   | H   | J   | K   | L  | M   | N    | O   | P   | Q   |
|----------|------|-----|------|-----|-----|-----|-----|------|-----|-----|-----|-----|----|-----|------|-----|-----|-----|
| 10/2 A1  | 65   | 80  | 510  | 460 | 110 | 105 | 435 | 660  | 390 | 108 | 213 | 100 | 55 | 74  | 1"   | 280 | 165 | 125 |
| 15/2 A1  | 65   | 80  | 510  | 460 | 110 | 105 | 435 | 660  | 390 | 108 | 213 | 100 | 55 | 74  | 1"   | 280 | 165 | 125 |
| 25/2 A2  | 65   | 80  | 510  | 480 | 130 | 125 | 455 | 680  | 390 | 108 | 220 | 100 | 55 | 74  | 1"   | 280 | 165 | 125 |
| 35/2 A2  | 65   | 80  | 545  | 480 | 130 | 125 | 455 | 680  | 390 | 108 | 220 | 100 | 55 | 74  | 1"   | 280 | 165 | 125 |
| 25/2 B1  | 80   | 80  | 520  | 475 | 130 | 110 | 455 | 675  | 390 | 95  | 225 | 100 | 55 | 74  | 1"   | 280 | 165 | 125 |
| 35/2 B2  | 80   | 80  | 555  | 495 | 145 | 125 | 475 | 695  | 390 | 92  | 225 | 100 | 55 | 74  | 1"   | 280 | 165 | 125 |
| 55/2 B2  | 80   | 80  | 680  | 525 | 145 | 125 | 510 | 725  | 390 | 92  | 225 | 100 | 55 | 74  | 1"   | 280 | 165 | 125 |
| 75/2 B5  | 80   | 80  | 685  | 565 | 180 | 165 | 550 | 765  | 390 | 85  | 235 | 100 | 55 | 74  | 1"   | 280 | 165 | 125 |
| 100/2 B5 | 80   | 80  | 745  | 565 | 180 | 165 | 550 | 765  | 390 | 85  | 235 | 100 | 55 | 74  | 1"   | 280 | 165 | 125 |
| 200/2 B6 | 101  | 100 | 910  | 680 | 235 | 190 | 660 | 900  | 480 | 155 | 315 | 110 | 55 | 82  | 1"   | 345 | 175 | 385 |
| 300/2 B6 | 101  | 100 | 1000 | 680 | 235 | 190 | 660 | 900  | 480 | 155 | 315 | 110 | 55 | 82  | 1"   | 345 | 175 | 385 |
| 10/4 B1  | 80   | 80  | 520  | 475 | 130 | 110 | 455 | 675  | 390 | 95  | 225 | 100 | 55 | 74  | 1"   | 280 | 165 | 125 |
| 15/4 B3  | 80   | 80  | 520  | 490 | 145 | 125 | 470 | 690  | 390 | 95  | 225 | 100 | 55 | 74  | 1"   | 280 | 165 | 125 |
| 25/4 B4  | 80   | 80  | 520  | 570 | 190 | 160 | 545 | 770  | 390 | 85  | 225 | 100 | 55 | 74  | 1"   | 280 | 165 | 125 |
| 35/4 B4  | 80   | 80  | 555  | 570 | 190 | 160 | 545 | 770  | 390 | 85  | 225 | 100 | 55 | 74  | 1"   | 280 | 165 | 125 |
| 55/4 B6  | 101  | 100 | 765  | 670 | 235 | 190 | 650 | 890  | 480 | 155 | 315 | 110 | 55 | 82  | 1"   | 345 | 175 | 385 |
| 75/4 B6  | 101  | 100 | 765  | 670 | 235 | 190 | 650 | 890  | 480 | 155 | 315 | 110 | 55 | 82  | 1"   | 345 | 175 | 385 |
| 25/4 C1  | 100  | 100 | 565  | 570 | 185 | 160 | 550 | 790  | 390 | 95  | 270 | 110 | 55 | 82  | 1"   | 310 | 175 | 150 |
| 35/4 C1  | 100  | 100 | 600  | 570 | 185 | 160 | 550 | 790  | 390 | 95  | 270 | 110 | 55 | 82  | 1"   | 310 | 175 | 150 |
| 55/4 C5  | 101  | 100 | 765  | 645 | 230 | 180 | 625 | 865  | 480 | 125 | 315 | 110 | 55 | 82  | 1"   | 345 | 175 | 385 |
| 75/4 C5  | 101  | 100 | 765  | 645 | 230 | 180 | 625 | 865  | 480 | 15  | 315 | 110 | 55 | 82  | 1"   | 345 | 175 | 385 |
| 100/4 C5 | 101  | 100 | 825  | 645 | 230 | 180 | 625 | 865  | 480 | 125 | 315 | 110 | 55 | 82  | 1"   | 345 | 175 | 385 |
| 150/4 C6 | 101  | 100 | 910  | 755 | 290 | 250 | 735 | 975  | 580 | 105 | 315 | 110 | 55 | 82  | 1"   | 345 | 175 | 385 |
| 230/4 C6 | 101  | 100 | 1000 | 755 | 290 | 250 | 735 | 975  | 580 | 105 | 315 | 110 | 55 | 82  | 1"   | 345 | 175 | 385 |
| 300/4 C6 | 101  | 100 | 1000 | 755 | 290 | 250 | 735 | 975  | 580 | 105 | 315 | 110 | 55 | 82  | 1"   | 345 | 175 | 385 |
| 55/4 C2  | 151S | 150 | 790  | 770 | 260 | 200 | 740 | 1055 | 480 | 150 | 340 | 145 | 80 | 122 | 1.5" | 435 | 260 | 385 |
| 75/4 C2  | 151S | 150 | 790  | 770 | 260 | 200 | 740 | 1055 | 480 | 150 | 340 | 145 | 80 | 122 | 1.5" | 435 | 260 | 385 |
| 100/4 C2 | 151S | 150 | 850  | 770 | 260 | 200 | 740 | 1055 | 480 | 150 | 340 | 145 | 80 | 122 | 1.5" | 435 | 260 | 385 |
| 150/4 C3 | 151  | 150 | 935  | 885 | 325 | 260 | 855 | 1175 | 630 | 130 | 340 | 145 | 80 | 122 | 1.5" | 435 | 260 | 385 |
| 230/4 C3 | 151  | 150 | 1025 | 885 | 325 | 260 | 855 | 1175 | 630 | 130 | 340 | 145 | 80 | 122 | 1.5" | 435 | 260 | 385 |
| 300/4 C4 | 151  | 150 | 1025 | 885 | 325 | 260 | 855 | 1175 | 630 | 130 | 340 | 145 | 80 | 122 | 1.5" | 435 | 260 | 385 |
| 230/4 C7 | 200S | 200 | 1070 | 935 | 325 | 260 | 905 | 1305 | 630 | 175 | 385 | 200 | 80 | 193 | 1.5" | 535 | 350 | 400 |
| 300/4 C7 | 200S | 200 | 1070 | 935 | 325 | 260 | 905 | 1305 | 630 | 175 | 385 | 200 | 80 | 193 | 1.5" | 535 | 350 | 400 |

# MULTISTREAM

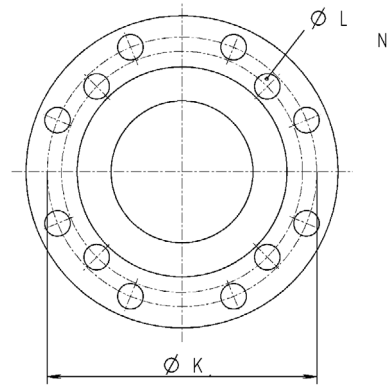
## SEWAGE PUMPS

### Dimensions pump base



22575-05

### Discharge outlet



29044

# MULTISTREAM

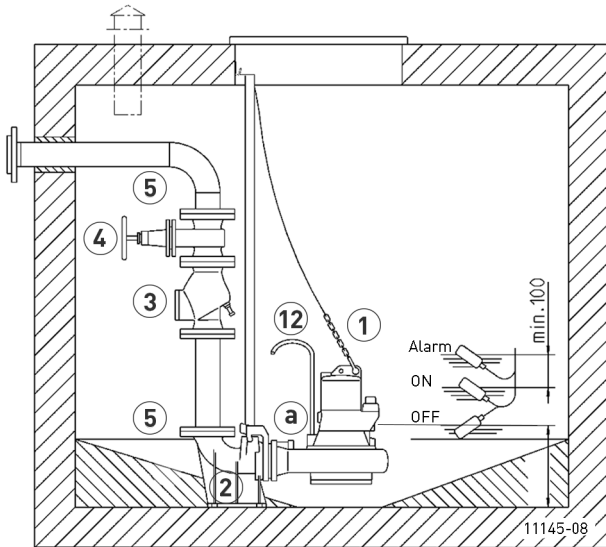
## SEWAGE PUMPS

|          | DN  | A    | B   | C   | D   | E   | F   | G   | K       | L     | N   |
|----------|-----|------|-----|-----|-----|-----|-----|-----|---------|-------|-----|
| 10/2 A1  | 65  | 475  | 325 | 110 | 105 | 135 | 175 | 175 | 130/145 | 14/18 | 4   |
| 15/2 A1  | 65  | 475  | 325 | 110 | 105 | 135 | 175 | 175 | 130/145 | 14/18 | 4   |
| 25/2 A2  | 65  | 475  | 345 | 135 | 135 | 135 | 185 | 175 | 130/145 | 14/18 | 4   |
| 35/2 A2  | 65  | 510  | 345 | 135 | 135 | 135 | 185 | 175 | 130/145 | 14/18 | 4   |
| 25/2 B1  | 80  | 530  | 340 | 135 | 135 | 185 | 240 | 200 | 150/160 | 18    | 4   |
| 35/2 B2  | 80  | 570  | 380 | 145 | 135 | 185 | 240 | 200 | 150/160 | 18    | 4/8 |
| 55/2 B2  | 80  | 700  | 395 | 145 | 135 | 185 | 240 | 200 | 150/160 | 18    | 4/8 |
| 75/2 B5  | 80  | 725  | 460 | 195 | 195 | 215 | 280 | 200 | 150/160 | 18    | 4/8 |
| 100/2 B5 | 80  | 785  | 460 | 195 | 195 | 215 | 280 | 200 | 150/160 | 18    | 4/8 |
| 200/2 B6 | 100 | 885  | 535 | 235 | 195 | 210 | 290 | 230 | 170/180 | 18    | 4/8 |
| 300/2 B6 | 100 | 975  | 535 | 235 | 195 | 210 | 290 | 230 | 170/180 | 18    | 4/8 |
| 10/4 B1  | 80  | 530  | 340 | 135 | 135 | 185 | 240 | 200 | 150/160 | 18    | 4/8 |
| 15/4 B3  | 80  | 535  | 380 | 160 | 160 | 185 | 240 | 200 | 150/160 | 18    | 4/8 |
| 25/4 B4  | 80  | 535  | 440 | 190 | 160 | 185 | 240 | 200 | 150/160 | 18    | 4/8 |
| 35/4 B4  | 80  | 570  | 440 | 190 | 160 | 185 | 240 | 200 | 150/160 | 18    | 4/8 |
| 55/4 B6  | 100 | 740  | 520 | 235 | 195 | 210 | 290 | 230 | 170/180 | 18    | 4/8 |
| 75/4 B6  | 100 | 740  | 520 | 235 | 195 | 210 | 290 | 230 | 170/180 | 18    | 4/8 |
| 25/4 C1  | 100 | 600  | 450 | 195 | 195 | 235 | 305 | 230 | 170/180 | 18    | 4/8 |
| 35/4 C1  | 100 | 635  | 450 | 195 | 195 | 235 | 305 | 230 | 170/180 | 18    | 4/8 |
| 55/4 C5  | 100 | 775  | 480 | 230 | 195 | 240 | 320 | 230 | 170/180 | 18    | 4/8 |
| 75/4 C5  | 100 | 775  | 480 | 230 | 195 | 240 | 320 | 230 | 170/180 | 18    | 4/8 |
| 100/4 C5 | 100 | 835  | 480 | 230 | 195 | 240 | 320 | 230 | 170/180 | 18    | 4/8 |
| 150/4 C6 | 100 | 925  | 610 | 290 | 250 | 250 | 330 | 230 | 170/180 | 18    | 4/8 |
| 230/4 C6 | 100 | 1015 | 610 | 290 | 250 | 250 | 330 | 230 | 170/180 | 18    | 4/8 |
| 300/4 C6 | 100 | 1015 | 610 | 290 | 250 | 250 | 330 | 230 | 170/180 | 18    | 4/8 |
| 55/4 C2  | 150 | 770  | 580 | 260 | 215 | 240 | 320 | 320 | 225/240 | 18/22 | 8   |
| 75/4 C2  | 150 | 770  | 580 | 260 | 215 | 240 | 320 | 320 | 225/240 | 18/22 | 8   |
| 100/4 C2 | 150 | 830  | 580 | 260 | 215 | 240 | 320 | 320 | 225/240 | 18/22 | 8   |
| 150/4 C3 | 150 | 925  | 695 | 325 | 260 | 250 | 330 | 320 | 225/240 | 18/22 | 8   |
| 230/4 C3 | 150 | 1015 | 695 | 325 | 260 | 250 | 330 | 320 | 225/240 | 18/22 | 8   |
| 300/4 C4 | 150 | 1015 | 695 | 325 | 260 | 250 | 330 | 320 | 225/240 | 18/22 | 8   |
| 230/4 C7 | 200 | 1015 | 725 | 325 | 260 | 250 | 330 | 0   | 295     | 22    | 8   |
| 300/4 C7 | 200 | 1015 | 725 | 325 | 260 | 250 | 330 | 0   | 295     | 22    | 8   |

# MULTISTREAM

## SEWAGE PUMPS


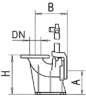
### Example of installation guide rail system



Types of operation: Up to 40°C medium temperature  
 Motor submerged: continuous operation S1

Motor not submerged intermittent operation S3  
 (e.g. 20% = 2 min operation and 8 min pause)

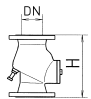
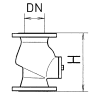
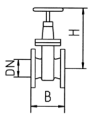
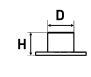
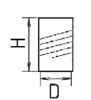

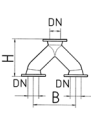
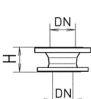
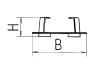
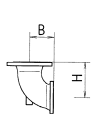
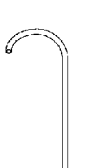
### MECHANICAL ACCESSORY

|   |  | Code No.  |
|---|--|---|
|  | <b>① Chain</b><br>certified, 2.5 m, 320 kg, 5 rings (EN 818 mod.)<br>certified, 5.0 m, 320 kg, 8 rings (EN 818 mod.)<br>certified, 7.5 m, 320 kg, 11 rings (EN 818 mod.)<br>Shackle, certified, 630 kg, stainless steel<br>Pump hanging (08 Ex - 100...) | JP45901<br>JP45902<br>JP47365<br>JP45904<br>JP45925   |
|   |   | <b>② Guide rail system</b><br>GR 65                      DN 80, 170x226x280 (AxBxH)<br>GR 80                        DN 80, 170x229x280 (AxBxH)<br>GR 100                      DN 100, 200x254x310 (AxBxH)<br>GR 101                      DN 100, 235x254x345 (AxBxH)<br>GR 151                      DN 150, 260x332x435 (AxBxH)<br>GR 200S                    DN 200, 305x410x535 (AxBxH)<br>Securing lever            C2<br>Guide rail 1"              1500 mm<br>Guide rail 1"              2000 mm<br>Guide rail 1"              2500 mm<br>Guide rail 1"              3000 mm<br>Guide rail 1,5"            1500 mm<br>Guide rail 1,5"            2000 mm<br>Guide rail 1,5"            2500 mm<br>Guide rail 1,5"            3000 mm |

# MULTISTREAM

## SEWAGE PUMPS


### MECHANICAL ACCESSORY

|   |   |  | Code No.       |
|---|---|--|----------------|
|    | <b>③ Swing-type check valve</b><br>R 80 EN 12050-4<br>R 80 G EN 12050-4<br>R 101 EN 12050-4<br>R 100 G EN 12050-4<br>R 150 G EN 12050-4 | DN 80, PN 4, flange PN 10, EN 558, 260 (H)                         | <b>JP00706</b> |
|   |   | DN 80, PN 4, flange PN 10, EN 558, with counter weight, 260 (H)    | <b>JP00707</b> |
|   |   | DN 100, PN 4, flange PN 10, EN 558, 300 (H)                        | <b>JP00325</b> |
|   |   | DN 100, PN 4, flange PN 10, EN 558, with counter weight, 300(H)    | <b>JP00324</b> |
|   |   | DN 150, PN 10, flange PN 10, EN 558, with counter weight, 400 (H)  | <b>JP00345</b> |
|    | <b>Ball-type check valve</b><br>K 80 EN 12050-4   | DN 80, PN 4, flange PN 10, EN 558, 260 (H)                         | <b>JP49205</b> |
|   |   |  |                |
|    | <b>④ Sluice valve</b>   | DN 80, PN 10, EN 1171      315x180 (HxB)                           | <b>JP00639</b> |
|   |   | DN 100, PN 10, EN 1171      345x190 (HxB)                          | <b>JP00329</b> |
|   |   | DN 150, PN 10, EN 1171      430x210 (HxB)                          | <b>JP00328</b> |
|    | <b>⑤ Flanged spigot</b>   | DN 80 PN 10, F-KS      75x90 (HxD)                                 | <b>JP00686</b> |
|   |   | DN 80 PN 10, F-KS      85x110 (HxD)                                | <b>JP00687</b> |
|   |   | DN 80/100, PN 10, F-piece      76x114 (HxD)                        | <b>JP09821</b> |
|   |   | DN 100 PN 10, F-KS      153x110 (HxD)                              | <b>JP08673</b> |
|   |   | DN 100 PN 10, F-piece      100x114 (HxD)                           | <b>JP00688</b> |
|   | <b>⑥ Elastic connection</b>   | DN 80      200x90 (HxD)  | <b>JP44768</b> |
|   |   | DN 100, PN 4      200x110 (HxD)                                    | <b>JP44778</b> |
|   |   | DN 100, PN 4      200x114 (HxD)                                    | <b>JP44774</b> |
|  | <b>⑦ Hose band clamp</b>  | 3" (DN 80)   | <b>JP44766</b> |
|   |   | 4" (DN 100)  | <b>JP44767</b> |
|  | <b>⑧ Flanged Y-pipe</b>   | DN 80/100/80      355x390(HxB), PN 10                              | <b>JP00448</b> |
|   |   | DN 80/100/80      355x480(HxB), PN 10                              | <b>JP00202</b> |
|   |   | DN 100/100/100      355x480(HxB), PN 10                            | <b>JP00203</b> |
|  | <b>⑨ Reducing adapter</b>   | DN 80/100 to PN 10, (similar FFR-piece), H=100                     | <b>JP00498</b> |
|   |   |  |                |
|  | <b>⑩ Pump base</b>  | A 170, for A1      76x245 (HxB)                                    | <b>JP00681</b> |
|   |   | A 220, for A2, AW1, AW2      90x295 (HxB)                          | <b>JP00682</b> |
|   |   | B 170, for B1      115x280 (HxB)                                   | <b>JP00683</b> |
|   |   | B 220, for B2,B3,B4,BW1      115x315 (HxB)                         | <b>JP00684</b> |
|   |   | C 275, for B5,B6,C1,C5,BW2,CW3      145x385 (HxB)                  | <b>JP00685</b> |
|   |   | C 325, for C2,CW2      145x565 (HxB)                               | <b>JP00701</b> |
|   |   | C 410, for C3,C4,C6,C7      145x650 (HxB)                          | <b>JP00702</b> |
|  | <b>⑪ Flanged connection</b>   | A 80 (similar Q-piece 90°), DN 80 PN10/DN 65 PN6      130x75 (HxB) | <b>JP00577</b> |
|   |   | B 80 (similar Q-piece 90°), DN 80 PN10/PN6      150x100 (HxB)      | <b>JP00578</b> |
|   |   | C 100 (similar Q-piece 90°), DN 100 PN10/PN6      175x120 (HxB)    | <b>JP00579</b> |
|  | <b>⑫ Flushing tube</b>  | Type I      10/... - 45/...  | <b>JP28221</b> |
|   |   | Type II      55/... - 100/...                                      | <b>JP28222</b> |
|   |   | Type III      150/... - 300/...                                    | <b>JP28223</b> |

# MULTISTREAM

SEWAGE PUMPS

## ELECTRICAL ACCESSORY

|   |                             |   | Code No.           |
|---|-----------------------------|---|--------------------|
|  | <b>a</b> Seal leak detector | DKG<br>DKG Ex for explosion-proof pumps | JP44900<br>JP00249 |