

SKS 1000

POLY-SUMPS FOR DRAINAGE WATER

- According EN 13598-2
- Suitable for traffic up to class D 400
- Corrosion-proof
- Buoyancy-proof and ground water proof
- Max. installation depth 4.90 m

APPLICATION

The buoyancy proof and practicable plastic sump in high-grade polypropylene (PP) corresponds to EN 13598-2. **It is suitable for use in areas with traffic load** up to 40 tons. (DIN EN 124, group 4). The SKS 1000 can be placed on natural ground without concrete works. The modular design offers easy transport and installation.

In order to adjust the pumping stations to the required pumping conditions a wide range of drainage pumps is available.

Both versions (single- and duplex units) have a spigot for inlet, two sockets with seal for ventilation/cable pipe, a facility for installing a flushing connection and a pressure outlet DN 50.

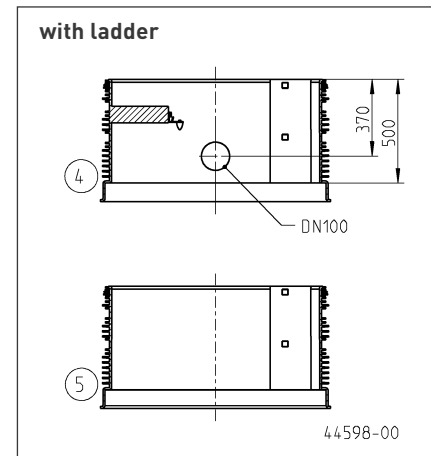
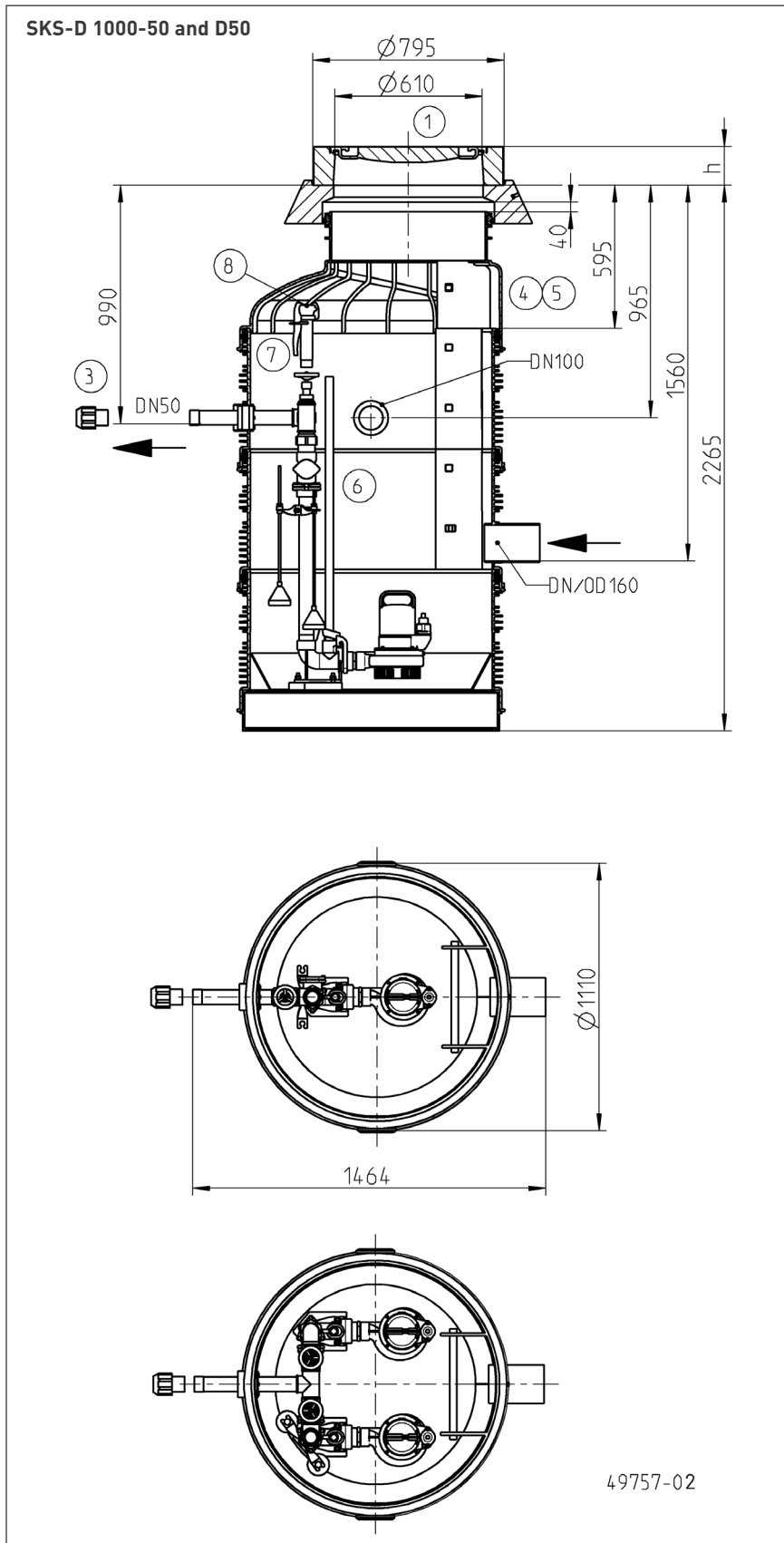
The standard installation depth without a cover is 2.27 m. The installation depth can be extended to 4.90 m by the use of sump extensions (installation depth in ground water not more than 5 m). The total volume is 1372 litres. The volume storage below the inlet is 396 litres.

If extensions are used, one of the extensions must be ordered with a tie-bar.



SKS 1000

POLY-SUMPS FOR DRAINAGE WATER



AVAILABLE PUMP TYPES

US 62-251, US 73-253, US 75-155, US 73-103 Ex, UV 620-635

We reserve the right to change specifications without notice. Illustration without ladder.

SKS 1000

POLY-SUMPS FOR DRAINAGE WATER

SCOPE OF SUPPLY

SKS-D 1000-50 (Single unit)

The poly-sump consist of an underpart with an inlet and a discharge branch, an extension element, a cone 1000/625 and a concrete support ring for the manhole cover (accessory). The segments are sealed with sealing rings.

Inlet socket DN/OD 160 (DN 150) for PVC collar (KGU), 2 sockets DN 100 for ventilation/cable duct, 1 socket plug DN 100.

Guide rail system, pipework DN 50, elbow ball check valve DN 50, stop valve in DN 50 in stainless steel.

SKS-D 1000-D50 (Duplex unit)

The poly-sump consist of an underpart with an inlet and a discharge branch, an extension element, a cone 1000/625 and a concrete support ring for the manhole cover (accessory). The segments are sealed with sealing rings.

Inlet socket DN/OD 160 (DN 150) for PVC collar (KGU), 2 sockets DN 100 for ventilation/cable duct, 1 socket plug DN 100, coupling feets, pressure outlet DN 50, ball check valve DN 50, maintenance stop valve DN 50.

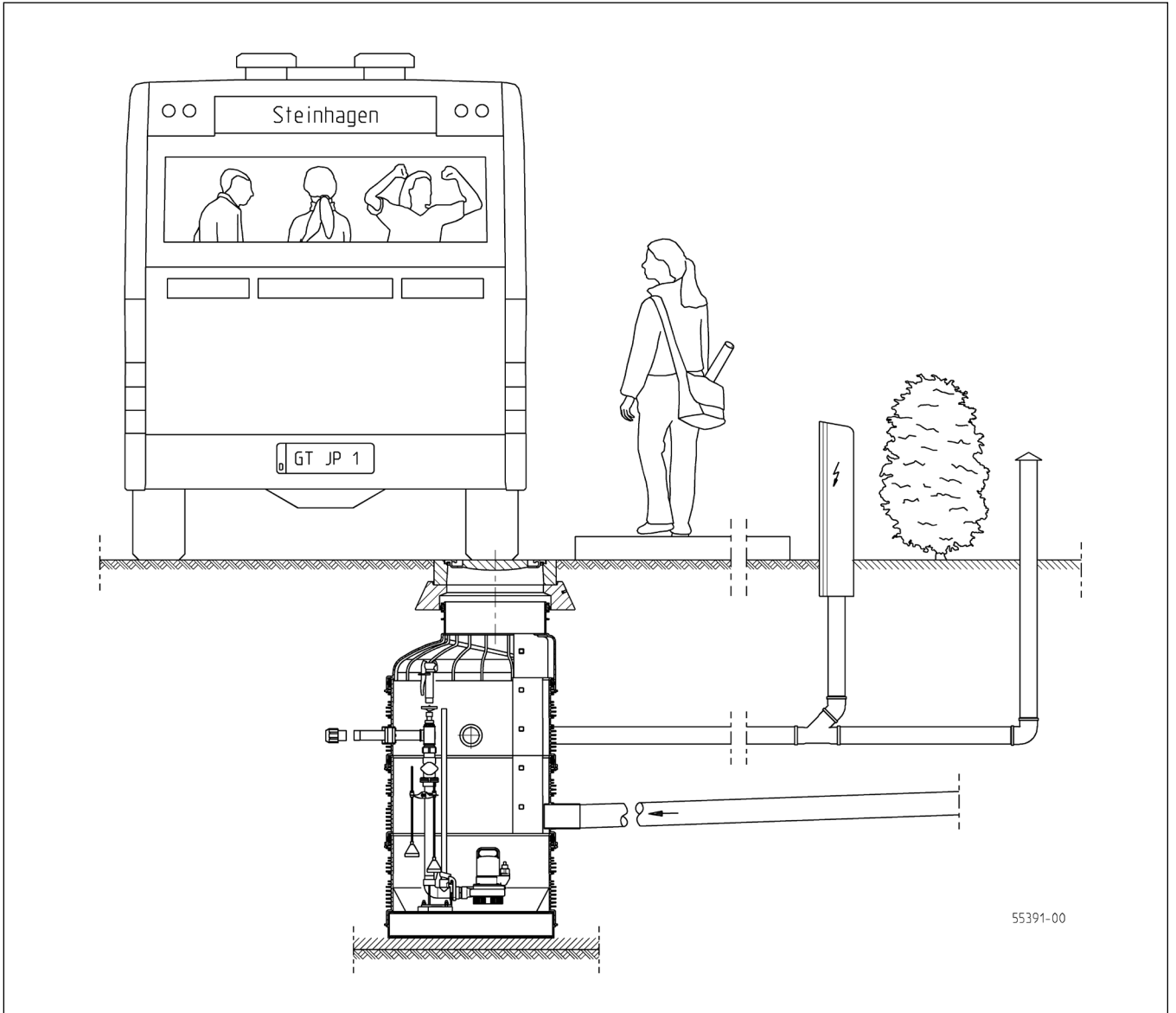
SUMPS AND ACCESSORY

Type		Code No.	Weight	
Poly-sump SKS-D 1000-50		JP50303	285.0 kg	
Poly-sump SKS-D 1000-D50		JP50304	305.0 kg	
① Cover without ventilation cl. B d610	h=125	JP44972	110.0 kg	
Cover without ventilation cl. D d610	h=160	JP29175	190.0 kg	
② Access aid, grab handle		JP44610	4.0 kg	
Access aid, sleeve		JP44611	1.5 kg	
③ Screw joint 2" - 63mm	with threaded socket and clamp connection	JP45950	0.5 kg	
④ PSV-D 1000x500 SG T (10)	Traverse, Steiggang	JP44407	34.0 kg	
⑤ PSV-D 1000x500 SG (10)	Steiggang	JP44403	16.6 kg	
⑥ Guide tube 1" stainless steel	1150 mm	2,27 m sump depth	JP50268	2.8 kg
Guide tube 1" stainless steel	1650 mm	2,77 m sump depth	JP50269	4.0 kg
Guide tube 1" stainless steel	2150 mm	3,27 m sump depth	JP50270	5.2 kg
Guide tube 1" stainless steel	2650 mm	3,77 m sump depth	JP50271	6.5 kg
Guide tube 1" stainless steel	3150 mm	4,27 m sump depth	JP50272	7.5 kg
Guide tube 1" stainless steel	3650 mm	4,77 m sump depth	JP50273	9.0 kg
Attention! For duplex units two guide tubes are necessary.				
⑦ Perrot flushing connection -65/80		JP22353	3.2 kg	
Storz C coupling 1 1/2"		JP44770	1.4 kg	
⑧ Perrot breath valve		JP22422	0.6 kg	
Perrot claw coupling		JP22420	0.5 kg	
Perrot hose connection	Ø 50 mm	JP19202	0.4 kg	
Perrot pressure gauge		JP44854	1.4 kg	
⑨ Ventilation pipe DN 100	Edelstahl	JP44858	4.3 kg	
⑩ Second or changed inlet DN 150		JP44523		
Second or changed inlet DN 200		JP44524		
Second or changed inlet DN 250		JP44525		
⑪ Seal lubricant 1 kg tube		JP44605	1.0 kg	
Seal lubricant 3 kg bucket		JP44606	3.0 kg	
⑫ Reducing sleeve 1 1/2" up to 2" IG		JP48069	0.4 kg	

SKS 1000

POLY-SUMPS FOR DRAINAGE WATER

MOUNTING ARRANGEMENT



Attention: Concerning space capacity the installation of submersible switches is not possible.