

## UB 62-UB 251

SUBMERSIBLE PUMPS FOR BUILDING SITES

- Run dry protection
- Portable
- Integrated fix-coupling
- 10 mm free passage
- Controllable oil chamber
- SiC mechanical seal independent of sense of rotation
- Replaceable moisture sealed cable inlet



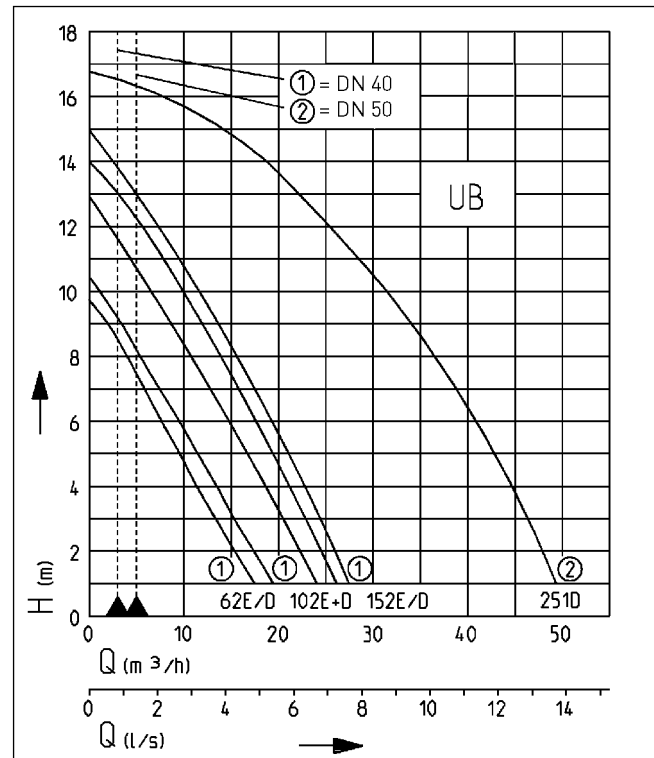
### DESCRIPTION

The centrifugal submersible pumps of this range UB 62-251 can be used wherever rainwater, groundwater, leaked water, drainage or sewage water with impurities of up to 10 mm particle size occurs. The main applications are on building sites, like structural and civil engineering, sewage-construction and building mines. They can also be used for taking water out of rivers and reservoirs as well as for filling and emptying containers. The standard fixed coupling makes a quick connection of the pressure tube possible.

This range of pumps is exclusively suitable for portable use. A controllable oil chamber and wear-resistant special mechanical seal ensure a long service life.

The pumps are delivered complete with lead and plug. The CEE-plug of the three-phase pumps has an integrated phase inverter which facilitates their use on building sites.

### PERFORMANCE



Type	Delivery head H [m]	1	2	3	4	5	6	7	8	9	10	11	12	13	14	16
UB 62 ES	Flow rate Q [m³/h]	17	15	13	11	9	8	6	4	2						
UB 62 DS		19	18	15	13	11	9	8	6	4						
UB 102 ES/DS		24	22	21	19	17	15	13	11	9	7	5	2			
UB 152 ES		26	24	23	21	19	17	16	14	11	9	7	5	2		
UB 152 DS		27	25	24	22	20	19	17	15	13	11	9	7	5	2	
UB 251 DS		49	48	46	45	43	41	39	37	34	32	28	26	22	19	10

Specifications can be changed without notice. Performance subject to ISO 9906 tolerances.

The minimum flow velocity in the pressure piping must be 0.7 m/s according to EN 12056. This data is represented in the performance curve as a limit of application.

VDE/GS-Certification for UB 62 ES, US 102 ES



# UB 62-UB 251

## SUBMERSIBLE PUMPS FOR BUILDING SITES

### SCOPE OF SUPPLY

Pump acc. to EN 12050 ready for connection with cable and safety-plug (1-phase) or CEE-plug with phase inverter (3-phase),

built-in level control and fixed coupling.

### MECHANICAL DATA

Pump	Vertical single-stage	Run dry protection	Yes
Free passage	10 mm	Shaft	Stainless steel
Bearing	Ball bearings, grease-lubricated	Impeller	Vortex impeller, GFK
Seal on motor side	Duplex rotary shaft seals	Pump housing	Grey cast iron
Oil chamber	Yes	Submersible	Yes
Seal on medium side	SiC mechanical seal	Pressure outlet	Fixed coupling C

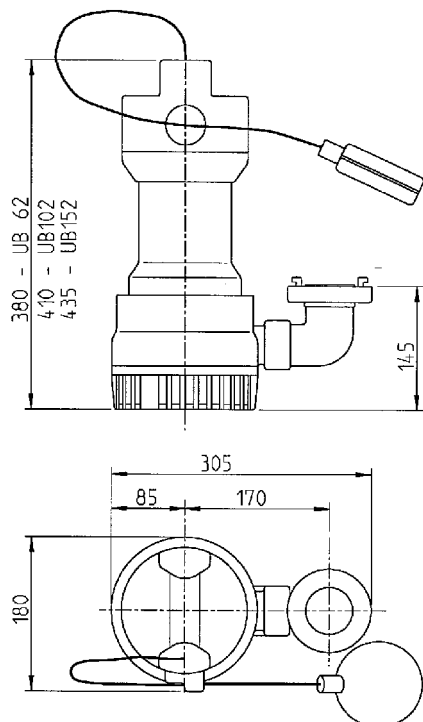
### ELECTRICAL DATA

Circuit	With built-in level control	Winding thermostat	Yes
Power line	10m H07RN-F	Motor protection	Integrated
Type of enclosure	IP 68		

### UB 62-UB 251

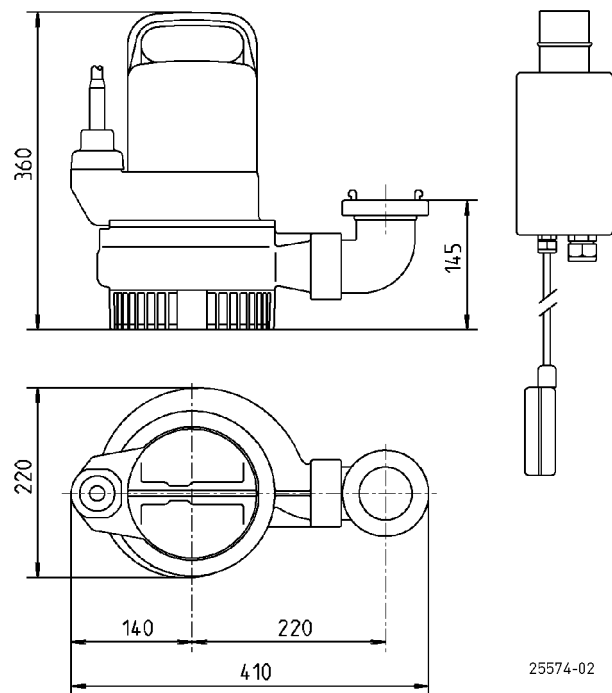
Type	Code No.	Voltage	Motor rating		Current	Wires	Insulation class	Plug	Motor housing	Weight
			P1	P2						
UB 62 ES	JP09818	1/N/PE~230 V	0.83 kW	0.50 kW	3.9 A	3G1,0	B	Safety	Stainless steel	13.5 kg
UB 62 DS	JP09819	3/PE~400 V	0.85 kW	0.60 kW	1.4 A	4G1,0	B	CEE	Stainless steel	13.8 kg
UB 102 ES	JP09283	1/N/PE~230 V	1.37 kW	0.98 kW	6.0 A	3G1,0	F	Safety	Stainless steel	15.3 kg
UB 102 DS	JP00534	3/PE~400 V	1.36 kW	1.06 kW	2.4 A	4G1,0	B	CEE	Stainless steel	15.8 kg
UB 152 ES	JP09439	1/N/PE~230 V	1.60 kW	1.21 kW	7.5 A	3G1,0	B	Safety	Stainless steel	16.9 kg
UB 152 DS	JP09440	3/PE~400 V	1.70 kW	1.41 kW	3.1 A	4G1,0	B	CEE	Stainless steel	17.9 kg
UB 251 DS	JP09298	3/N/PE~400 V	2.60 kW	2.10 kW	4.4 A	6G1,5	F	CEE	Grey cast iron	30.6 kg

### Dimensions UB 62 up to UB 152 (mm)



25636-03

### Dimensions UB 251 (mm)

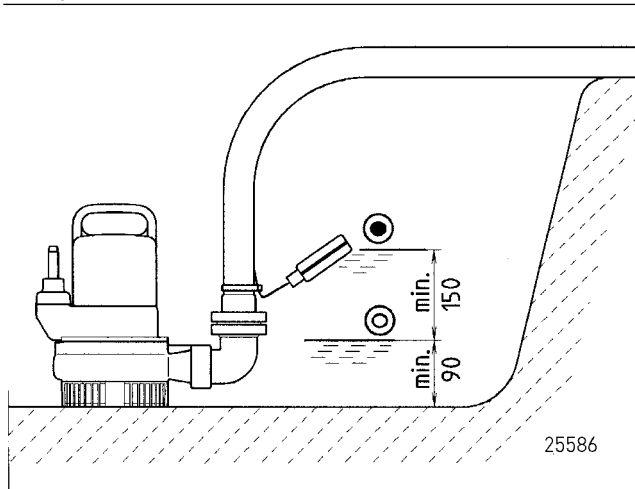


25574-02

# UB 62-UB 251

SUBMERSIBLE PUMPS FOR BUILDING SITES

## Example of installation UB 251 DS



## MECHANICAL ACCESSORY

		Code No.	
①	<b>Pressure hose</b>	15 m, synthetic, with coupling Storz C, Ø 52 mm	JP00336
②	<b>Hose coupling</b>		JP25708
	Coupling wrench		
③	<b>Chain</b>	certified, 2.5 m, 320 kg, 5 rings (EN 818 mod.)	JP45901
		certified, 5.0 m, 320 kg, 8 rings (EN 818 mod.)	JP45902
	<b>Webbing</b>	with shackle	JP45168

# UB 62-UB 251

SUBMERSIBLE PUMPS FOR BUILDING SITES