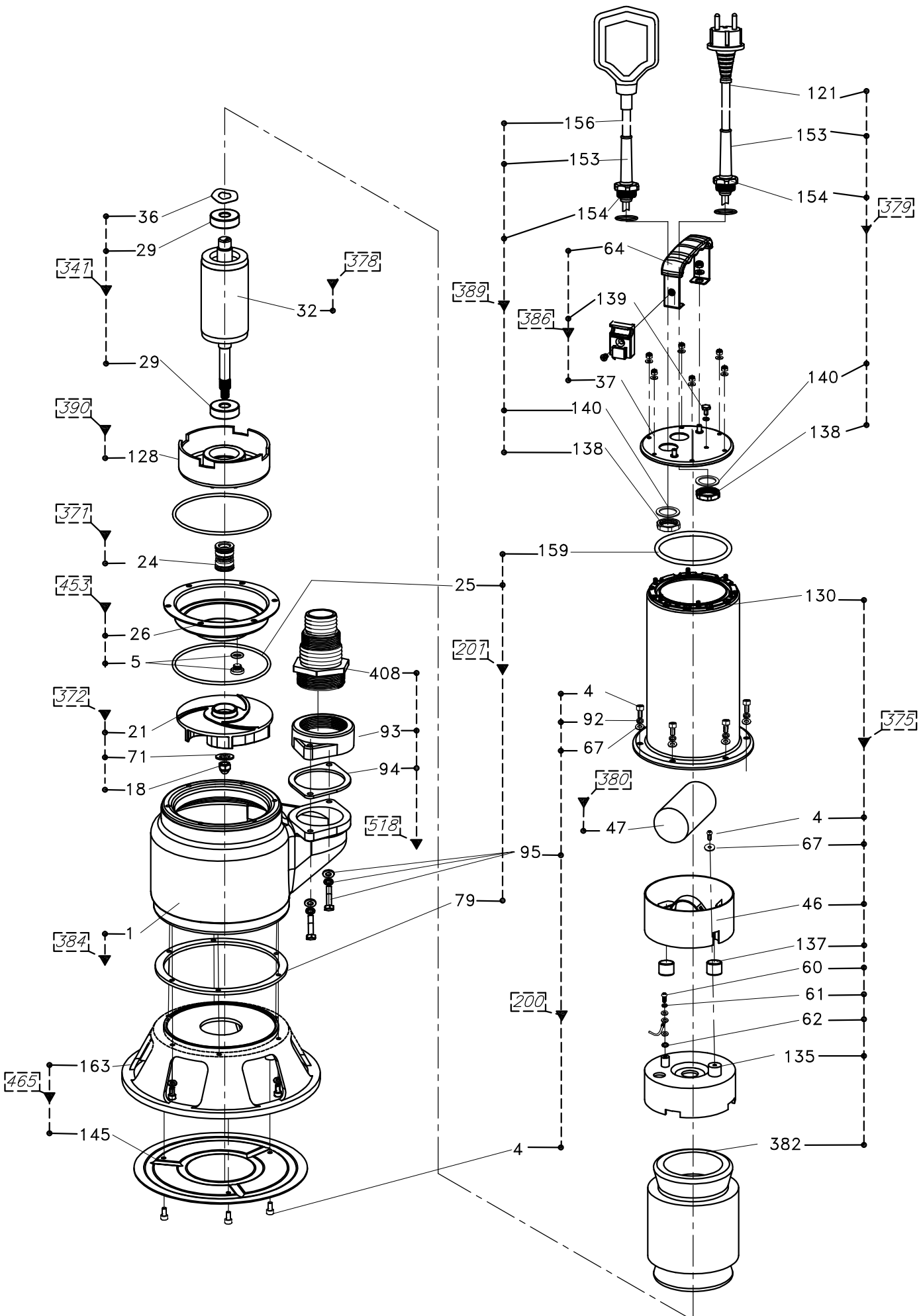


B

B

A

A



PENTAIR Pentair Water Italy S.r.l. Via Masaccio, 13 56010 Lugnano (PI) ITALY	Drawn R.De Ieso	Title MAXIVORT 50 36/14	Sheet 1 of 1
	Approved —	Date (dd/mm/yy) 30/08/2022	Filename DR220003_00

This drawing is the absolute property of Pentair Water Italy S.r.l. It may not be reproduced in any form without the written permission of Pentair Water Italy S.r.l.